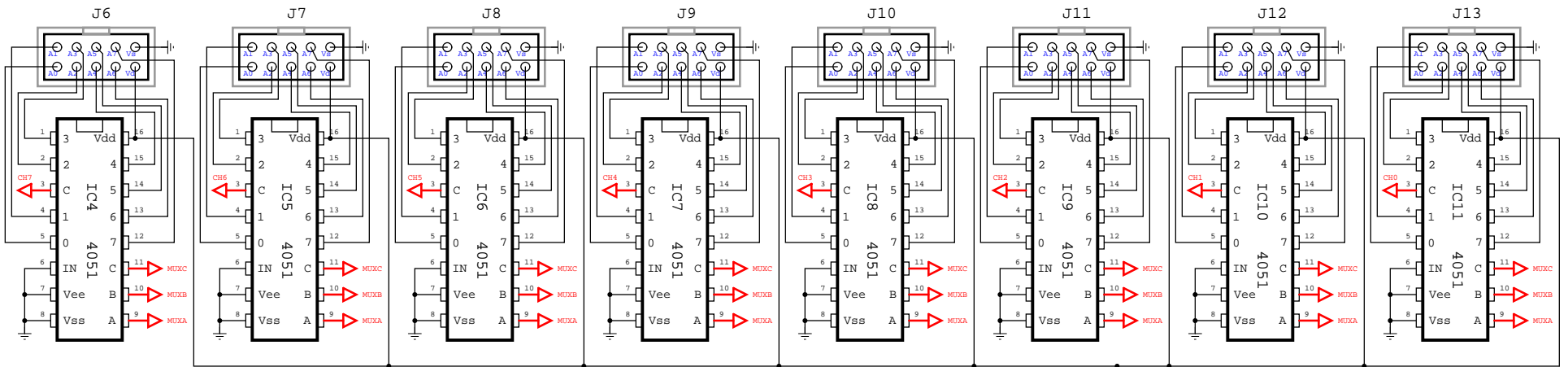
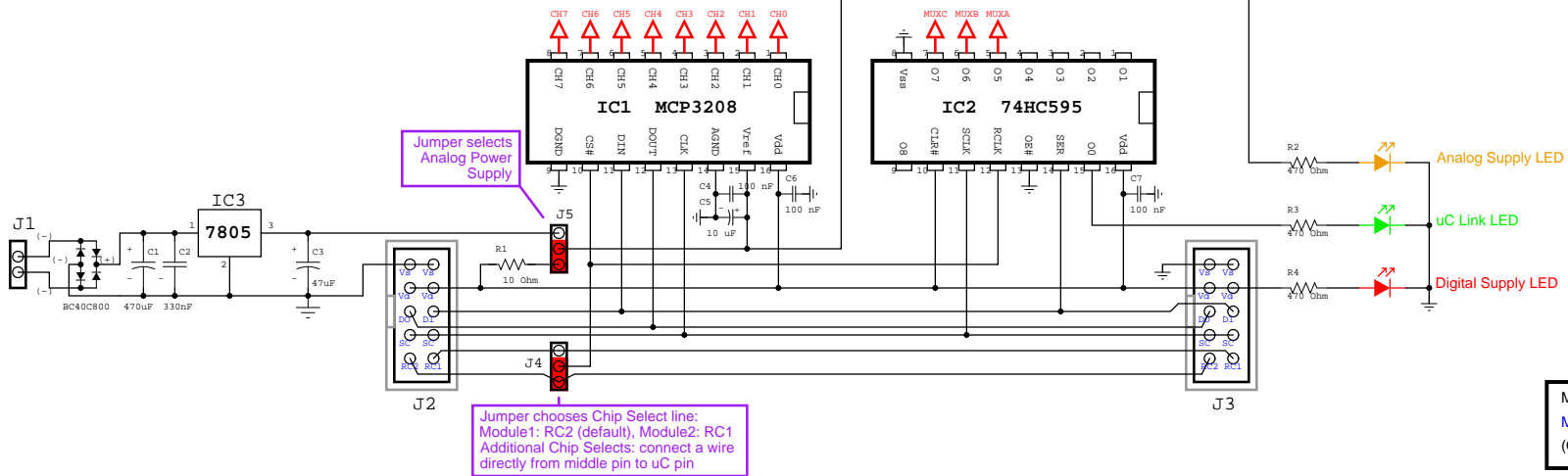


clamp unused analog inputs of the 4051 to ground!



if you leave out a 4051, clamp the appr. channel input (Pin #3) to ground!



MIDibox Hardware Platform
MBHP_AINSER64_V1
(C) T. Klose 2011-12-19