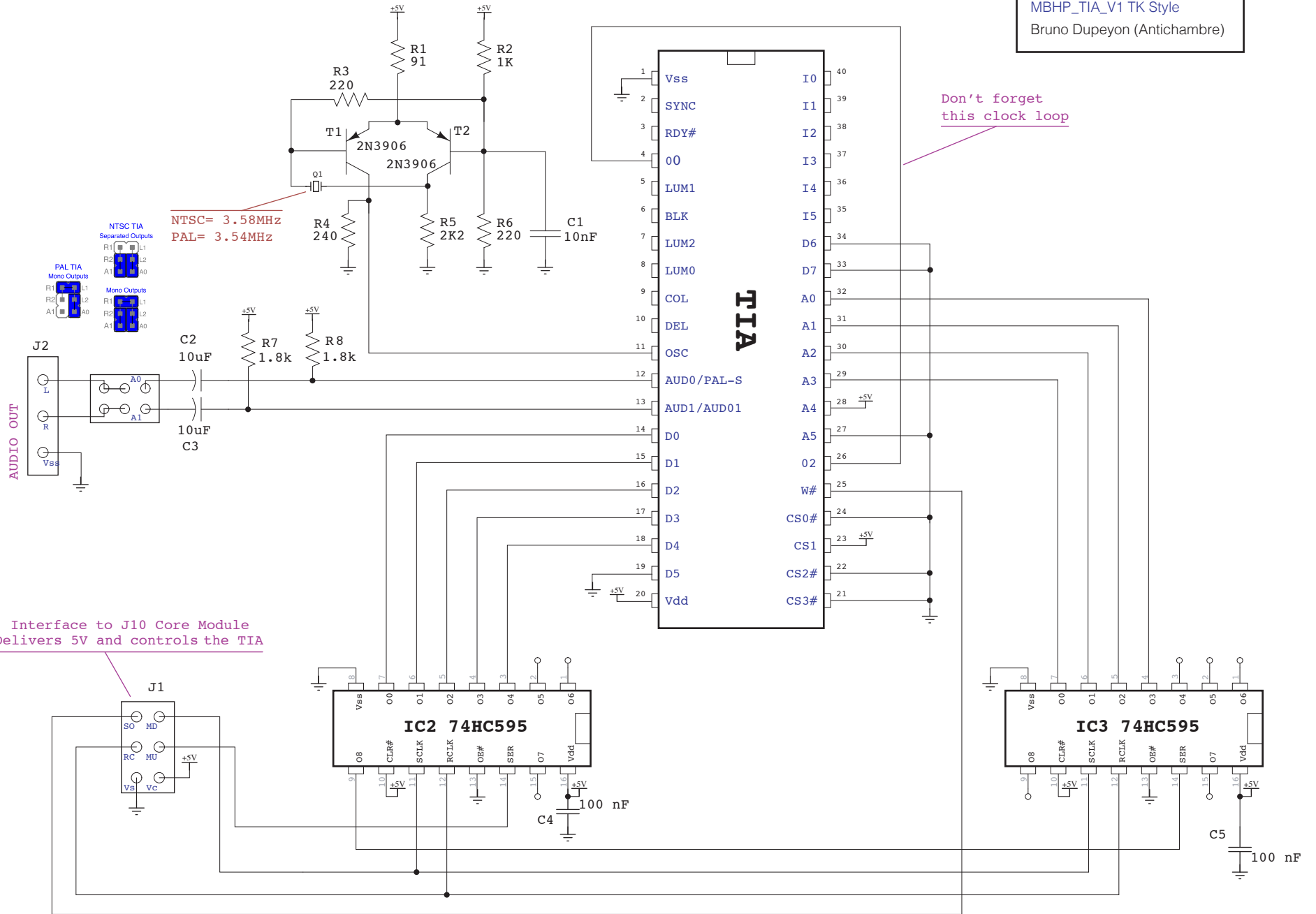


MIDIbox TIA  
 MBHP\_TIA\_V1 TK Style  
 Bruno Dupeyon (Antichambre)



Don't forget  
 this clock loop

Interface to J10 Core Module  
 Delivers 5V and controls the TIA