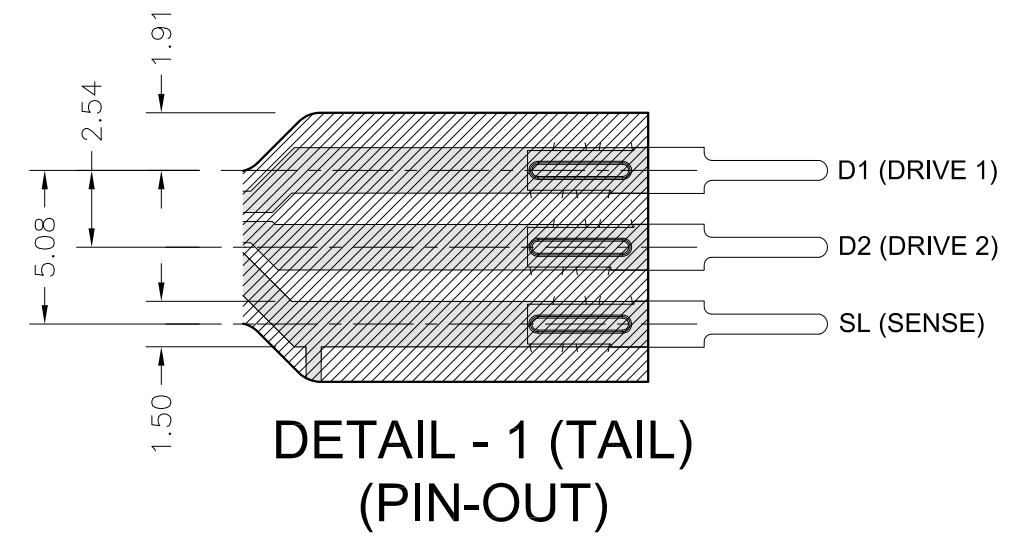
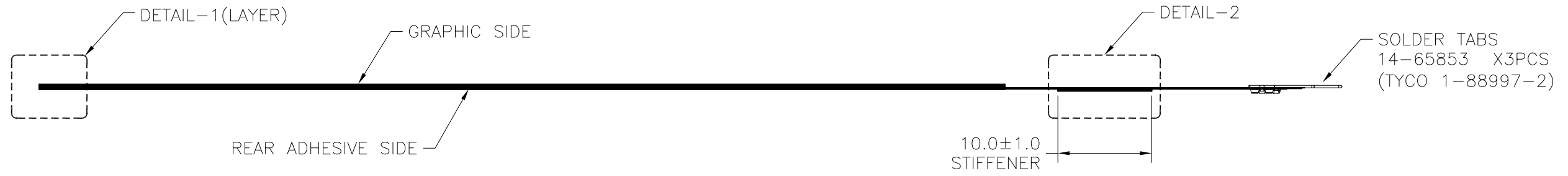
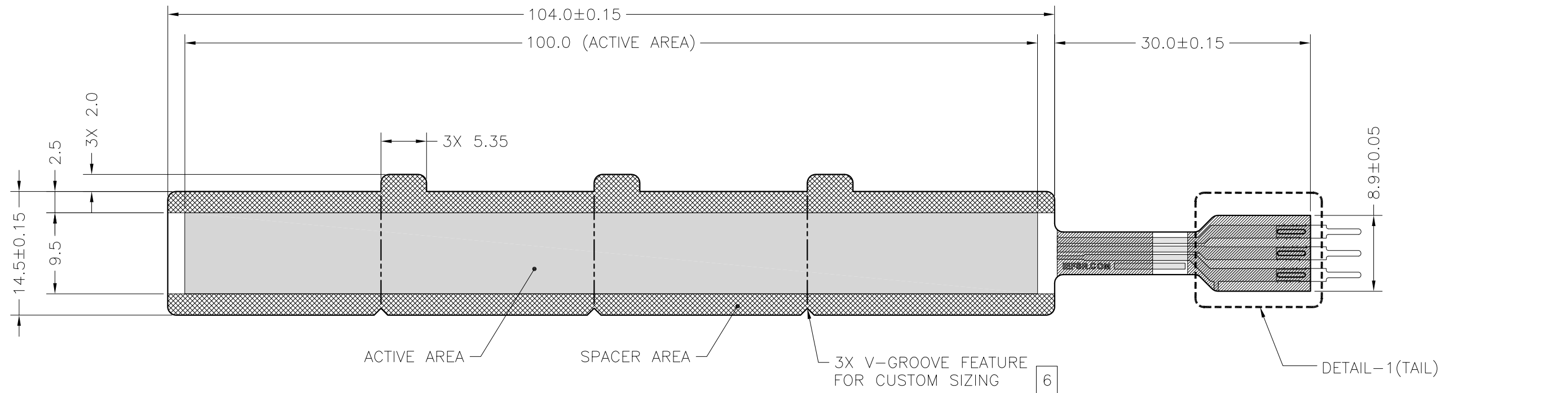


REVISION HISTORY			
REV	DESCRIPTION	DATE	REVISED BY
A	PROD RELEASE PER ECO 4518	07/18/12	J.CHEN



NOTES: UNLESS OTHERWISE SPECIFIED

- THIS ASSEMBLY TO COMPLY WITH THE LATEST REVISION OF INTERLINK ELECTRONICS SPECIFICATION 80-20016, "STANDARD FOR ENVIRONMENTAL RELATED SUBSTANCE CONTROL".
- ALL PARTS MANUFACTURED TO THIS DRAWING MUST COMPLY WITH SQS 2002 SUPPLIER QUALITY SYSTEMS REQUIREMENTS. THE LATEST VERSION CAN BE DOWNLOADED FROM OUR WEBSITE: www.interlinkelectronics.com/supplier.
- MATERIAL: SEE SEPARATE BILL OF MATERIALS.
- DIE CUT SHEET PER INTERLINK ELECTRONICS MANUFACTURING INSTRUCTIONS, DOCUMENT P/N 38-00022.
- DIE CUT SHEET PER INTERLINK ELECTRONICS QA INSPECTION PROCEDURES. DOCUMENT P/N 39-00022
- CUSTOMIZED LENGTHS CAN BE ACHIEVED BY CUTTING SENSOR TO DESIRED ACTIVE AREA CONFIGURATION. TAIL CAN BE CUSTOMIZED TO USE VARIOUS CONNECTION METHODS. REFER TO CUSTOMIZATION GUIDE FOR INSTRUCTIONS.

- TOLERANCES - UNLESS OTHERWISE NOTED		
DECIMAL	TOL.	ANGLES
.X	±.20	±0.50°
.XX	±.15	
.XXX	±.05	

THIRD ANGLE PROJECTION

DESIGNED	K.XU	07/16/12
CHECKED BY	C.DEND	07/16/12
APPROVED	J.LEONARD	07/16/12

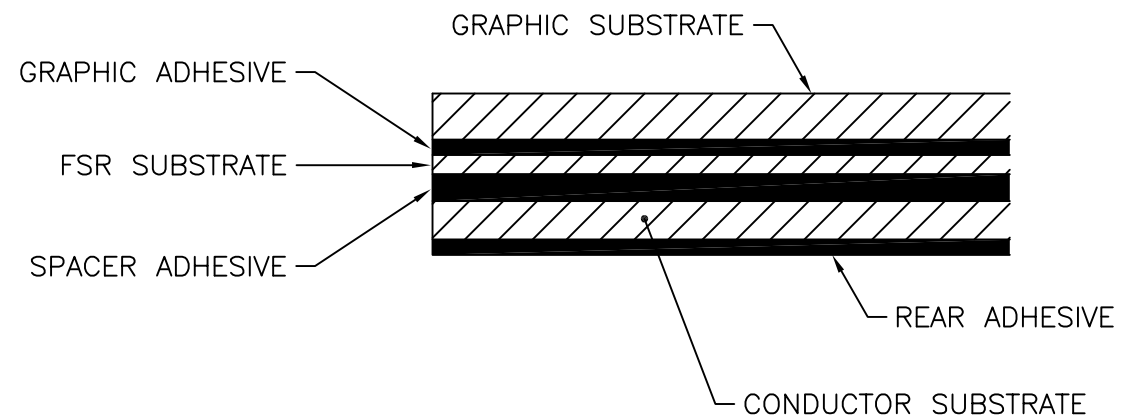
MATERIAL: 3

INTERLINK ELECTRONICS
546 Flynn Road, Camarillo, CA 93012

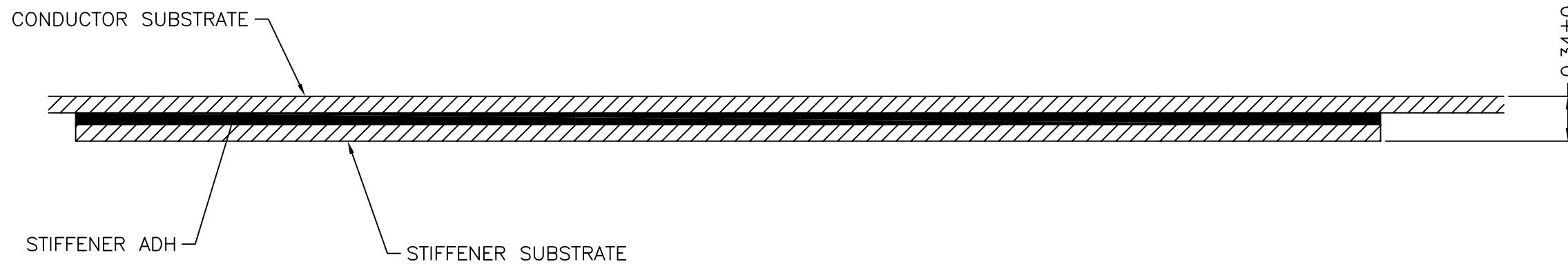
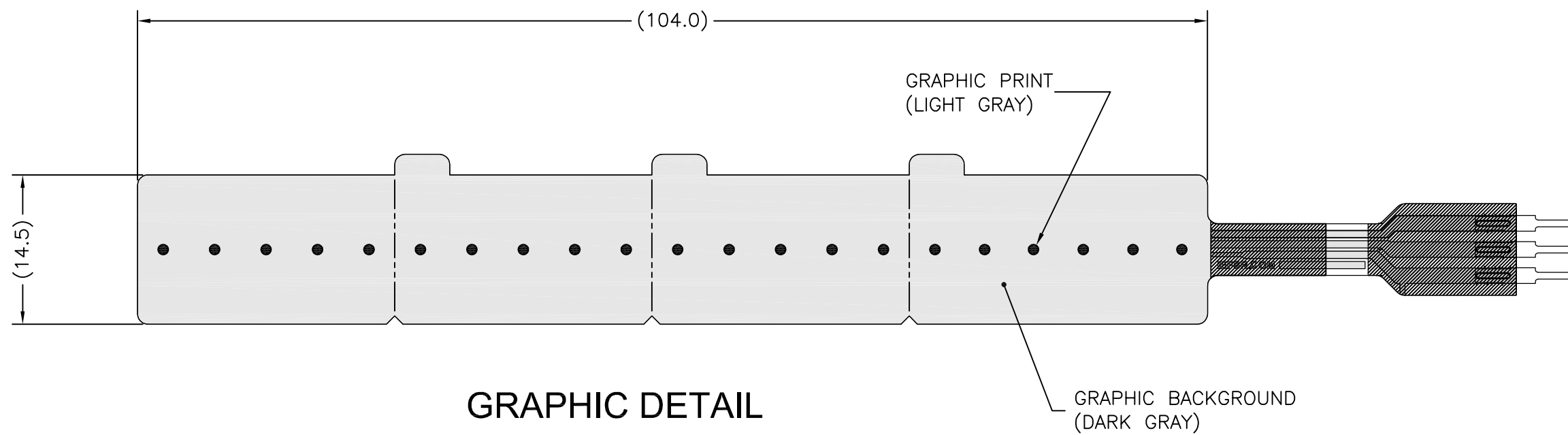
TITLE: SENSOR, FSLP, 10CM, BASE, W/SOLDER TABS

SIZE: A3 SCALE: NONE DWG NO.: 34-00022 REV. A

SOURCE: UNLESS OTHERWISE SPECIFIED, UNITS ARE IN MILLIMETERS. DO NOT SCALE DRAWING SHEET 1 OF 2



DETAIL-1(LAYER)
(STACK-UP)



DETAIL-2
(STIFFENER STACK-UP)

SIZE A3	DWG NO. 34-00022	REV. A
SCALE FULL	DO NOT SCALE DRAWING	SHEET 2 OF 2