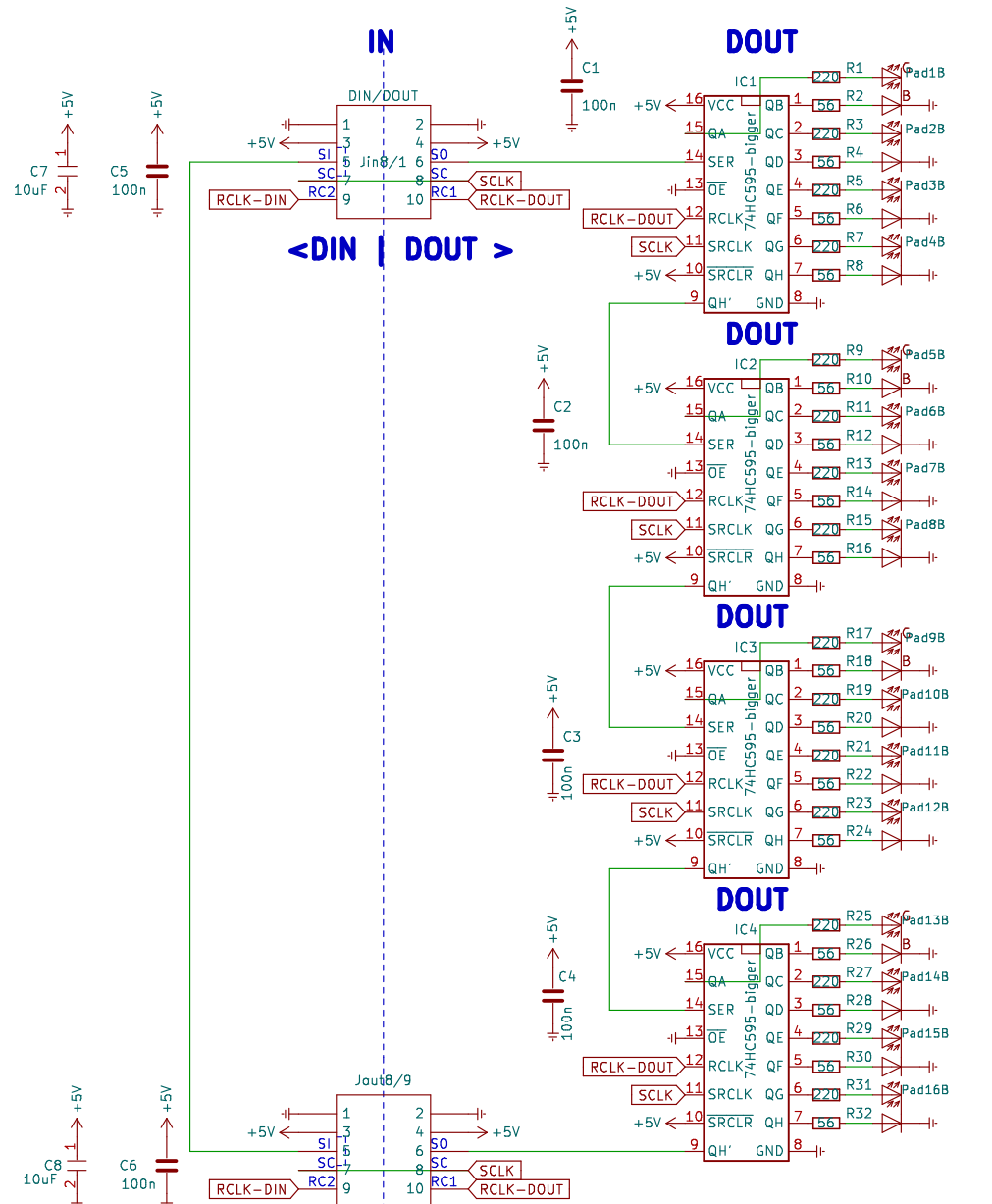
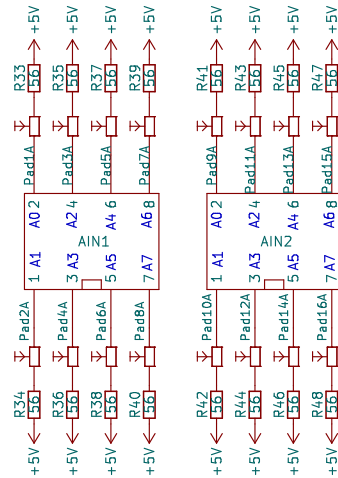


A Pad has from 70 –280 Ohm Resistance

how do i limit the current without reduces the voltage range from 0–5V ?

so the ADC (MCP3208) can use its full potential

i want to reduce the Current in the Resistance–Foil – since i dont know how much current the foil draw until it burns



drawing by Michael Sigl
Sheet: /
File: MPD-16.kicad_sch
Title: OpenPAD
Size: A4 | Date: 2023-01-02 | Rev: a