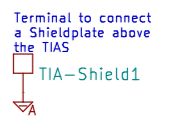
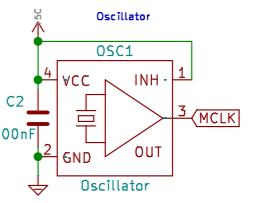
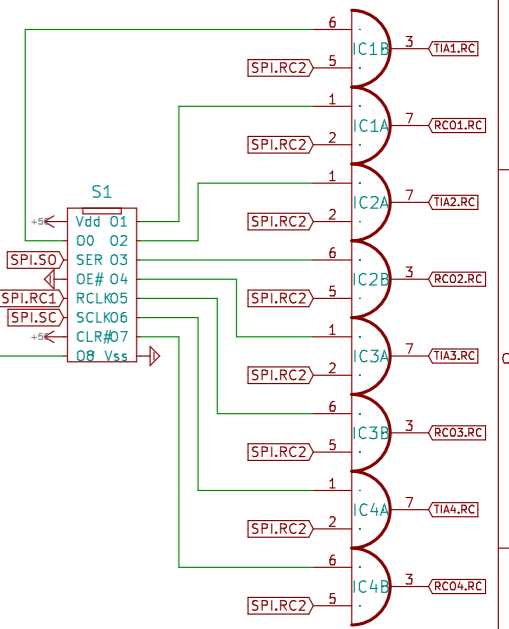
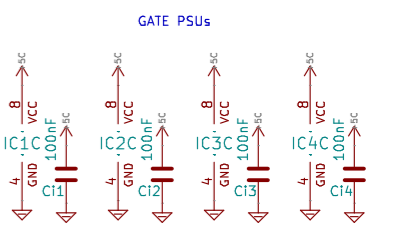


www.uCApps.de  
 Michael Sigl aka PHATLINE  
 Sheet: /  
 File: STELLAx4.sch  
**Title: STELLAx4**

Size: A3	Date: 2021-01-16	Rev: b
KiCad E.D.A.	eeschema 5.1.9-73d0e3b20d88ubuntu18.04.1	Id: 1/1



LOGO-PCB Mounting-Holes