

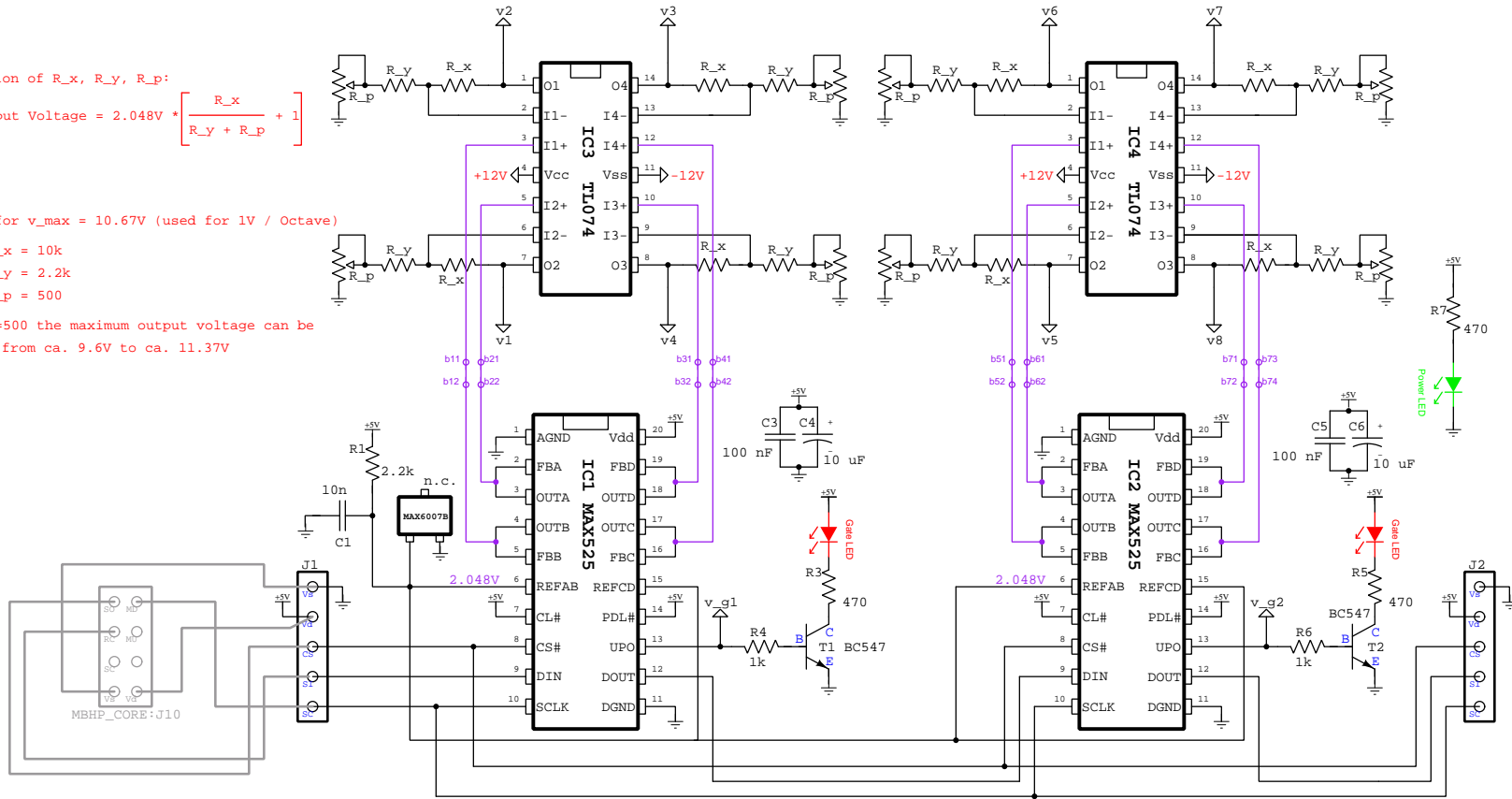
Calculation of R_x , R_y , R_p :

$$\text{Max. Output Voltage} = 2.048V * \left[\frac{R_x}{R_y + R_p} + 1 \right]$$

Example for $v_{max} = 10.67V$ (used for 1V / Octave)

$R_x = 10k$
 $R_y = 2.2k$
 $R_p = 500$

With $R_p=500$ the maximum output voltage can be adjusted from ca. 9.6V to ca. 11.37V



MIDIbox Hardware Platform
 MBHP_AOUT
 (C) T. Klose 2003-11-18
 Last Update: 2005-02-22

NOTE: with MIOS V1.7 and higher the SCLK line has to be connected to J10:MD of the core module!
 NOTE2: the previously suggested LM324 has been replaced by the pin compatible TL074 for better signal quality