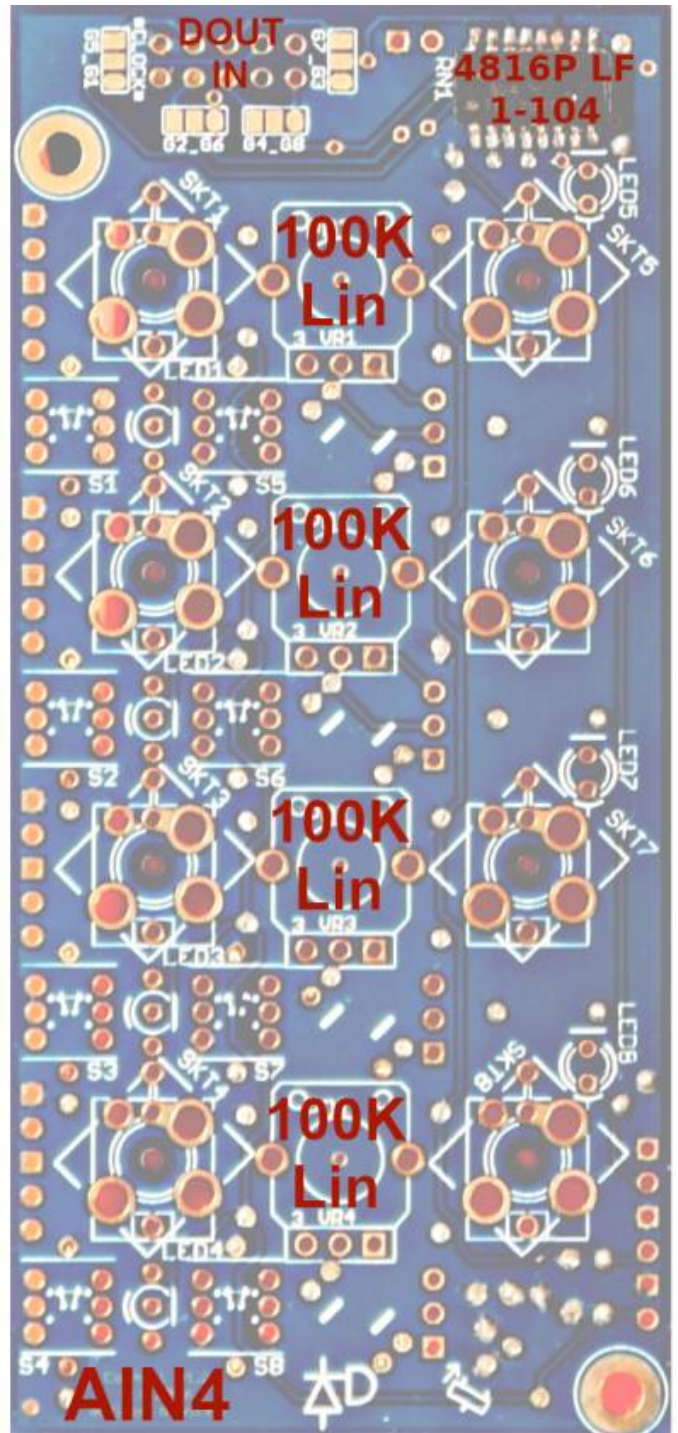
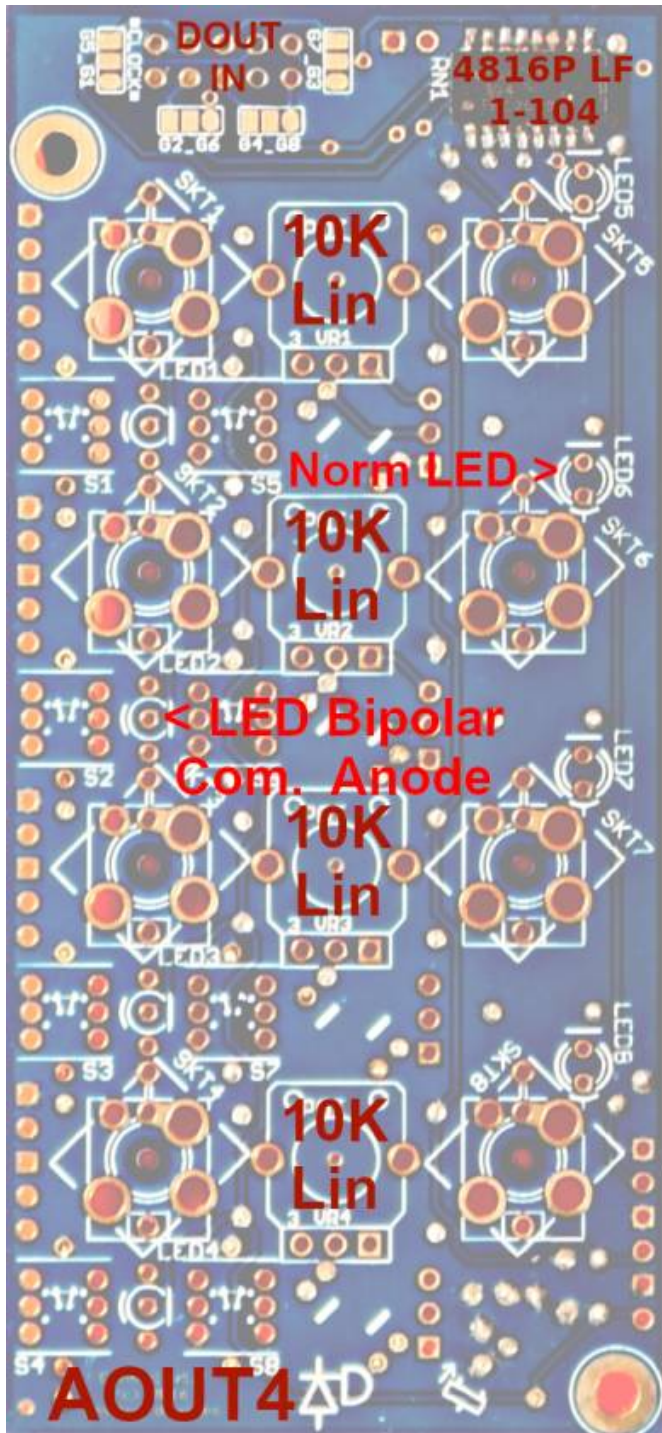


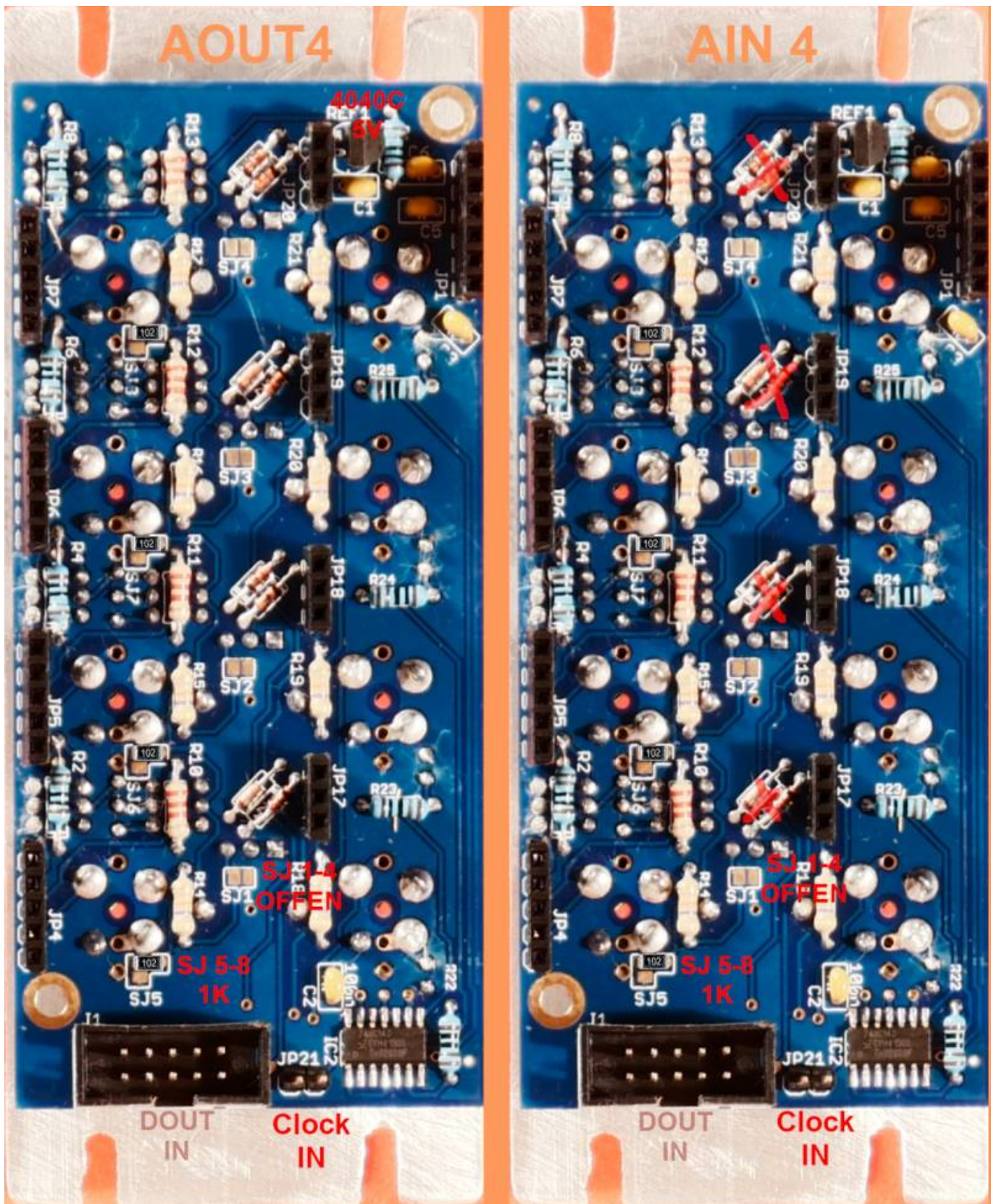
Control Panel for AIN_4 & AOUT_4 v1.2

AIN_4 v1.2 TOP



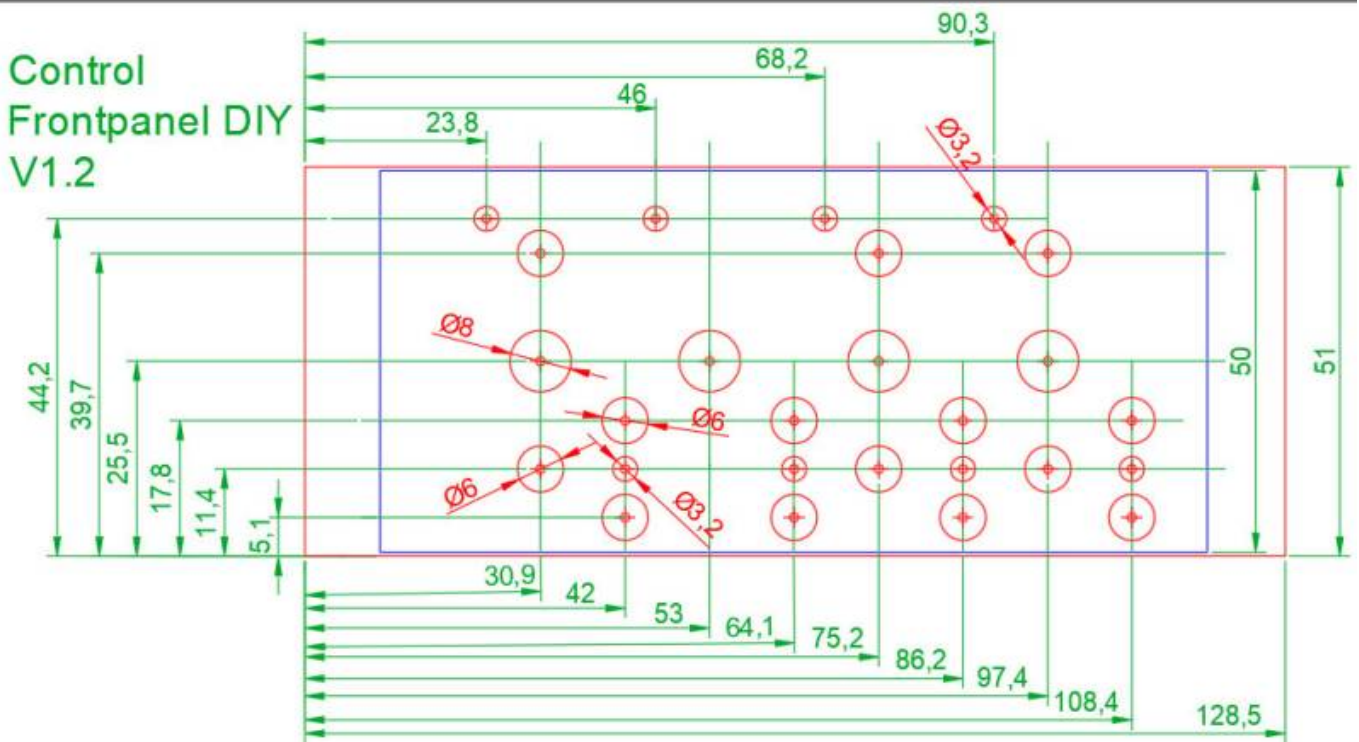
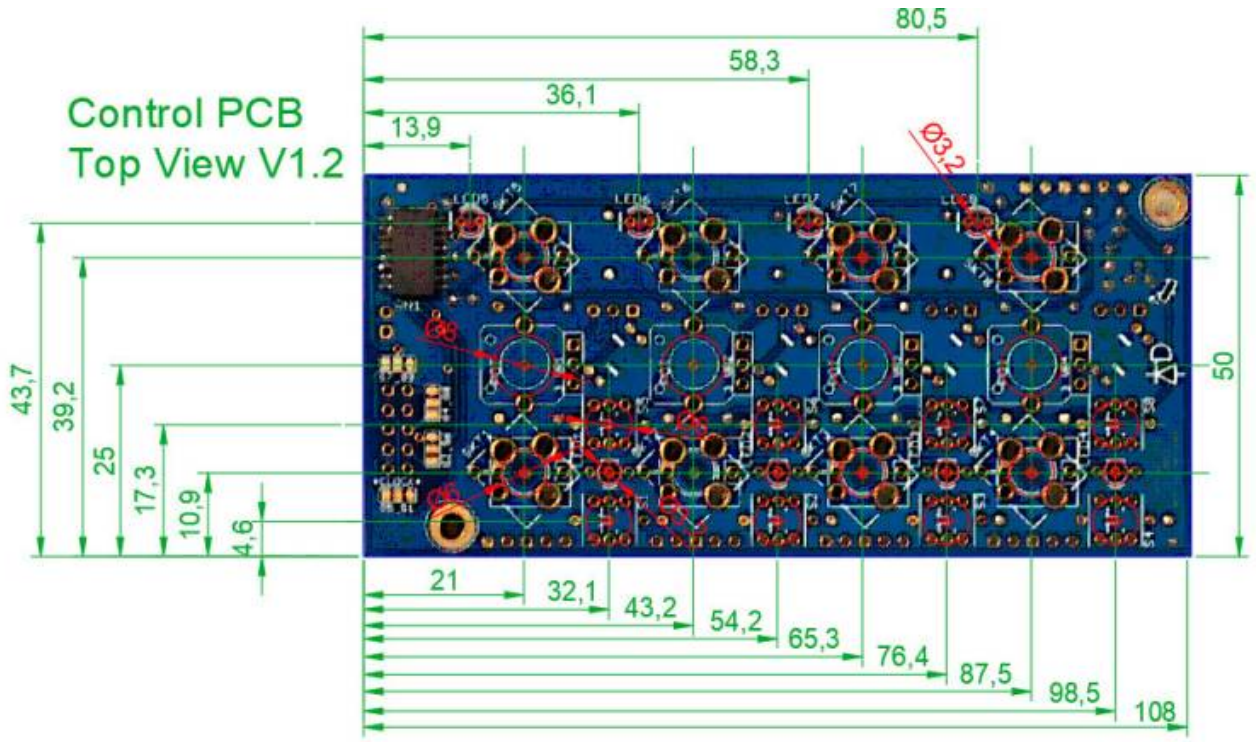
BOM: 8x Switch better take mouser ones... [External Link](#)

AIN_4 v1.2 BACK



Front-Panel for AIN_4 v1.2

i measured the PCB, and made a drawing in order to create a hand-drilled Frontpanel... so dont take the values as 100% true...:





From:
<https://www.midibox.org/dokuwiki/> - MIDibox

Permanent link:
https://www.midibox.org/dokuwiki/doku.php?id=control_board&rev=1641436213

Last update: 2022/01/06 02:30

