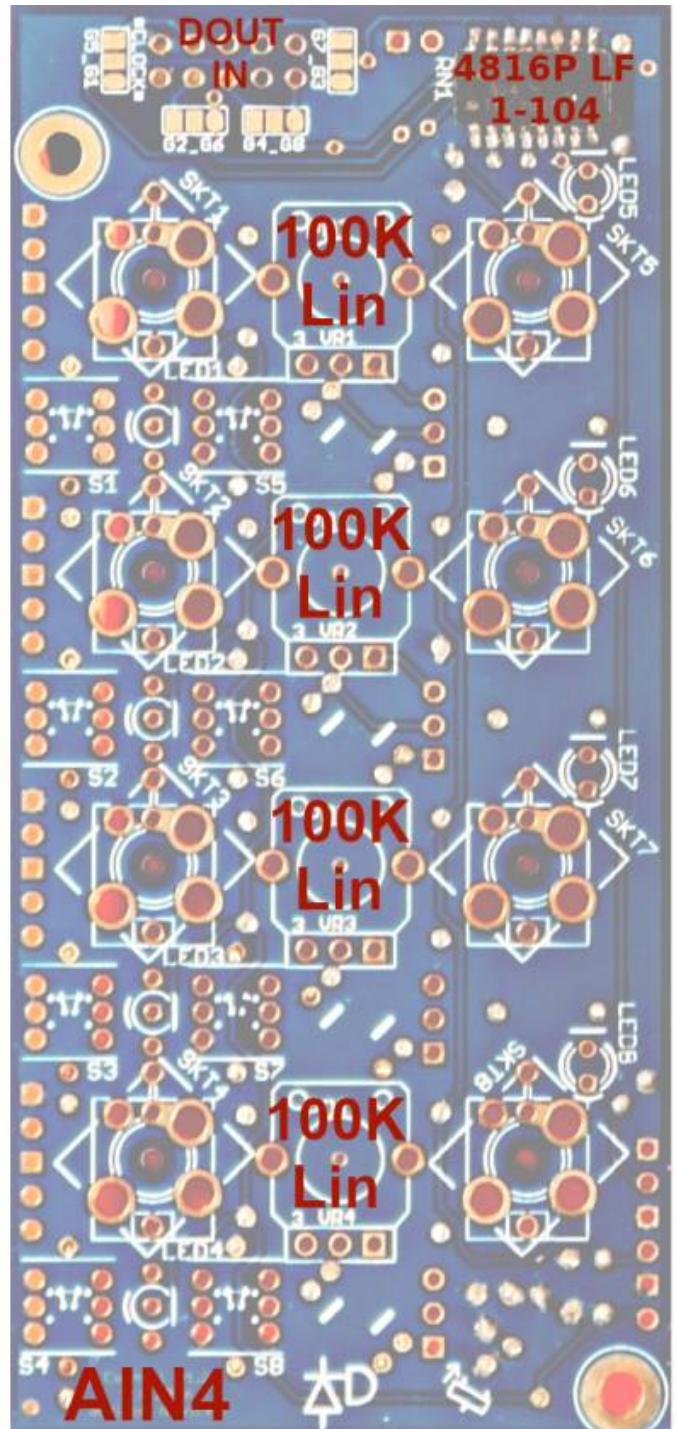
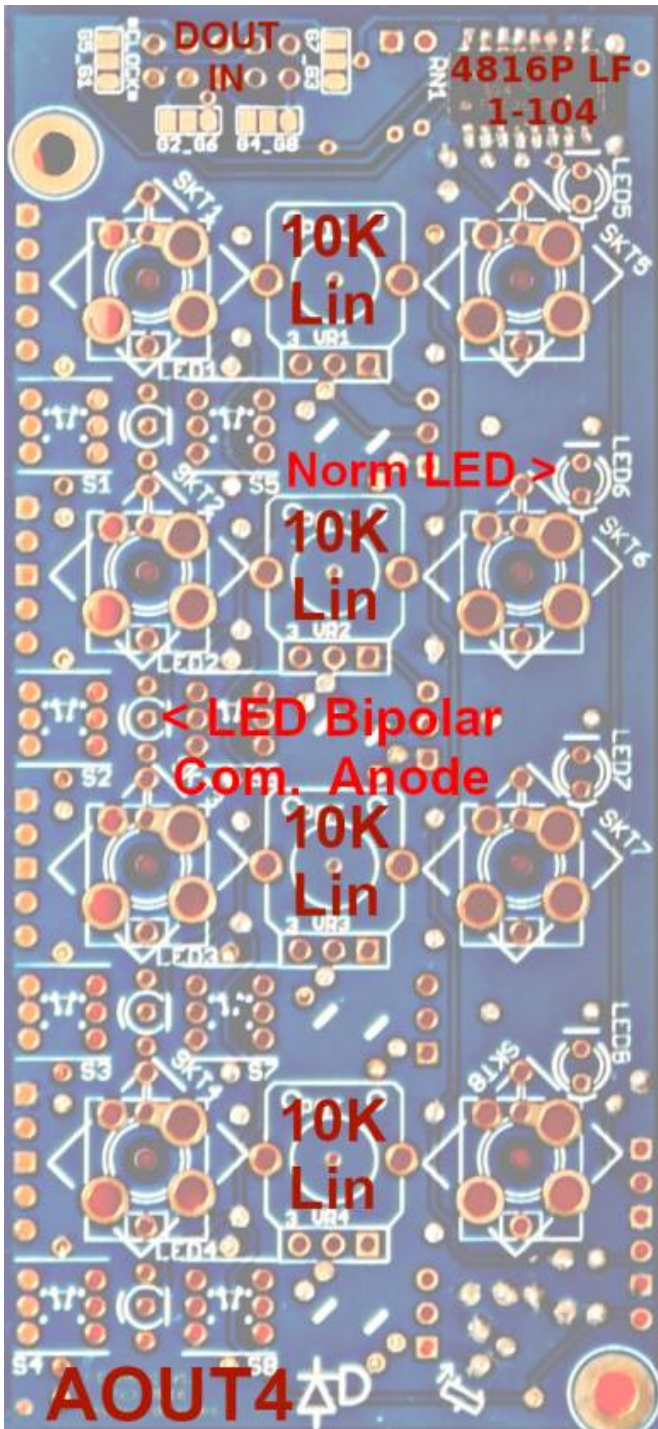


Control Panel for AIN_4 & AOUT_4 v1.2

AIN4 - AOUT4 v1.2 TOP



BOM:

8x Switch better take mouser ones...

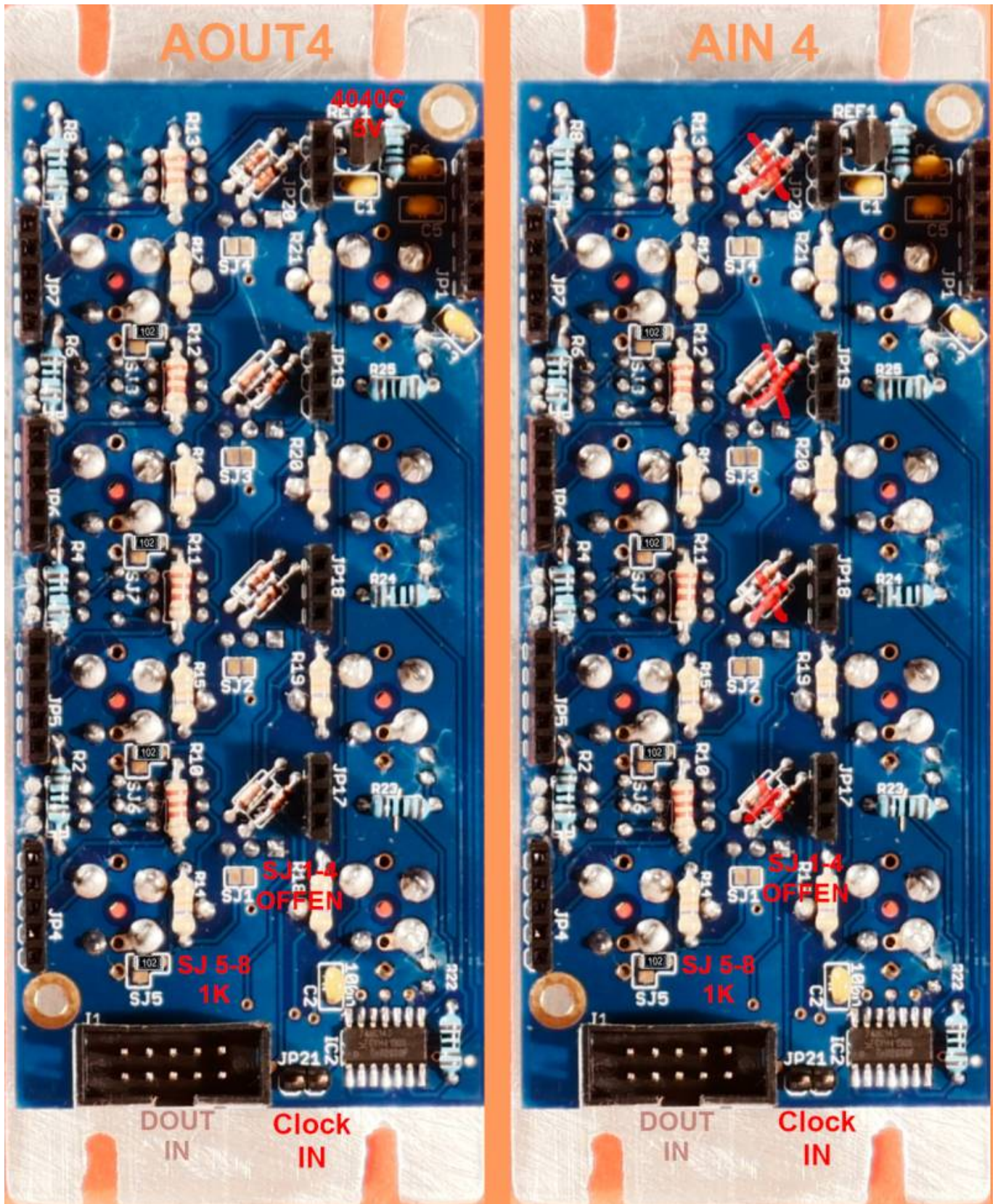
LED5-8: Normal LEDs

LED1-4: Bipolar LED coman Anode

VR1-4 AOUT4: 10K Lin

VR1-4 AIN4: 100K Lin

AIN_4 v1.2 BACK



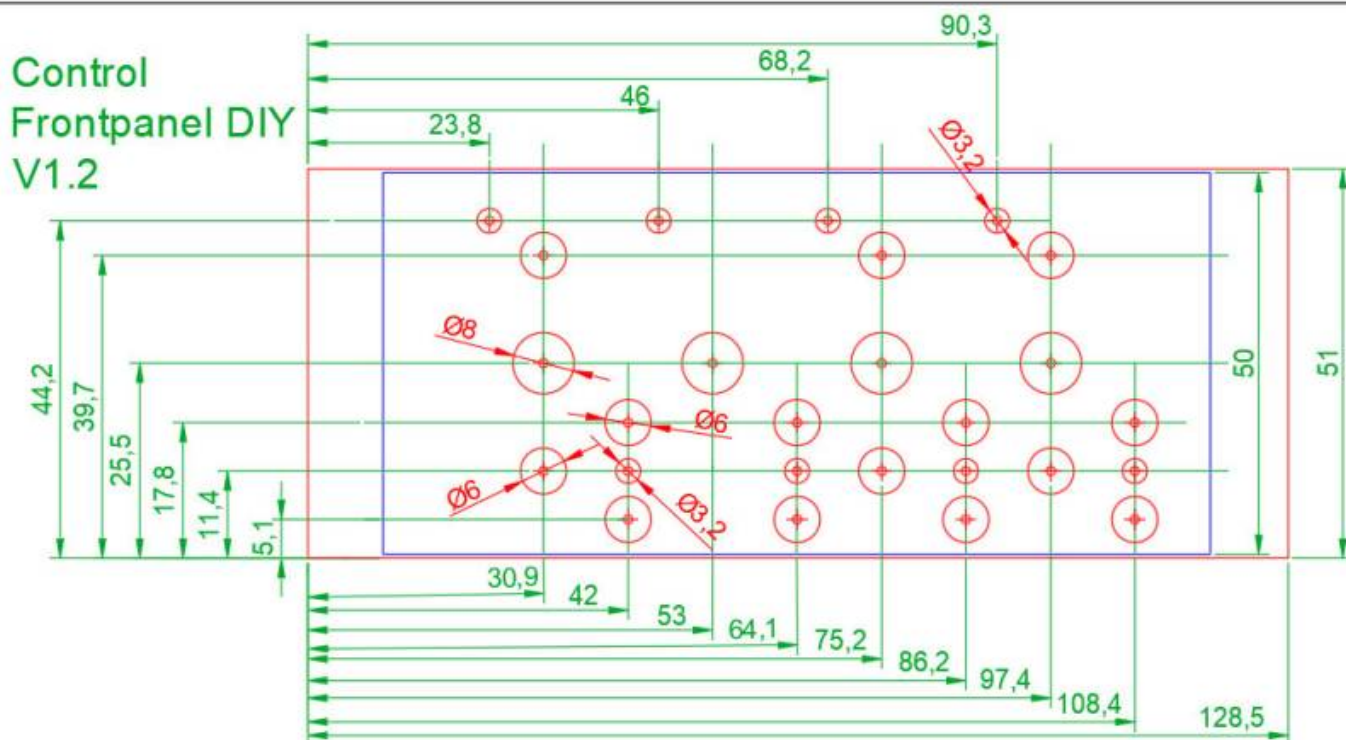
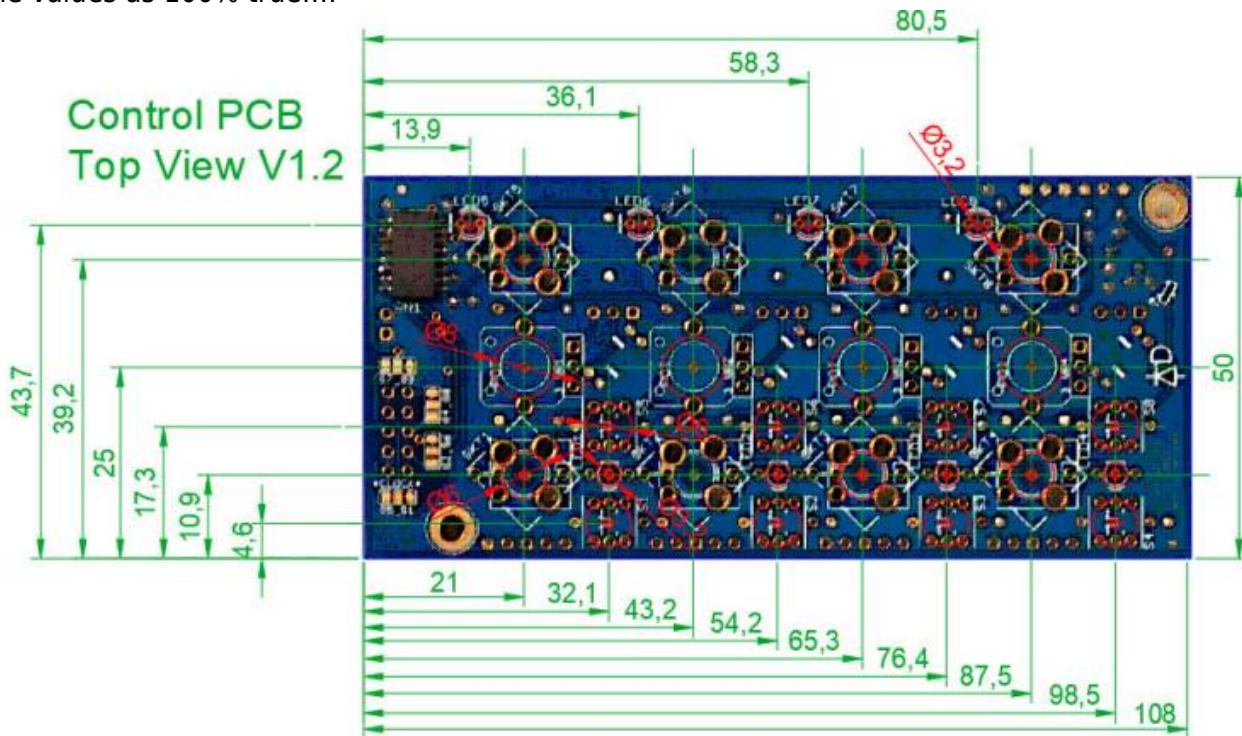
BOM:

- RN1: 100k iso 652-4816P-1LF-100K
- Jumper 1-4: let them unsoldered
- Diodes: 1N4148 > only Stuff in AOUT4 Usecases

IC2: 74LV14H (SOIC14)

Front-Panel for AIN_4 v1.2

i measured the PCB, and made a drawing in order to create a hand-drilled Frontpanel... so dont take the values as 100% true...:





From:
<https://www.midibox.org/dokuwiki/> - MIDibox

Permanent link:
https://www.midibox.org/dokuwiki/doku.php?id=control_board&rev=1641436876

Last update: 2022/01/06 02:41

