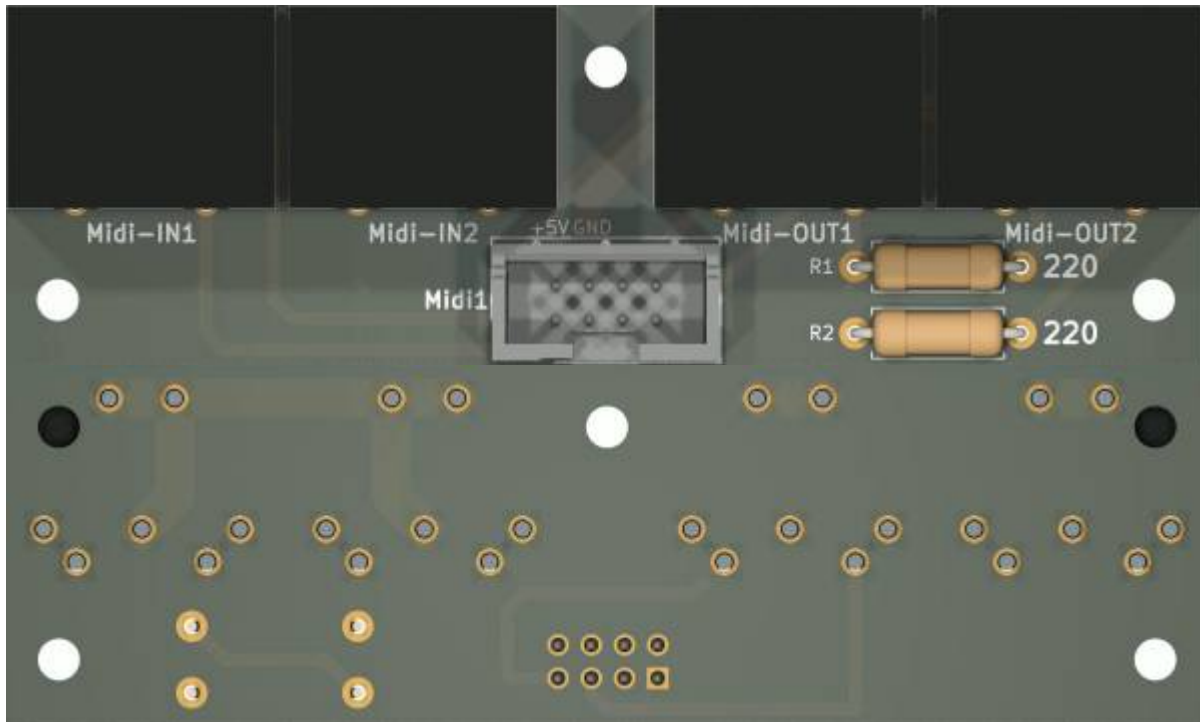
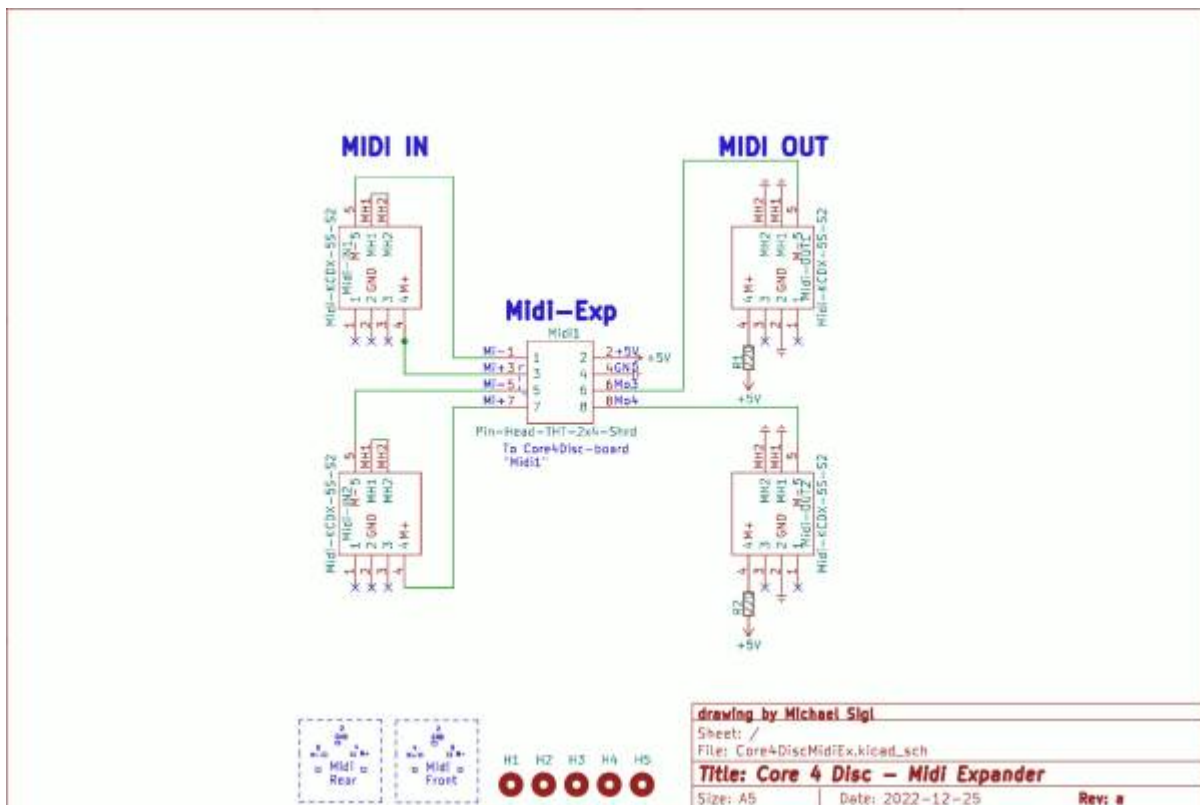


Core4Disc Midi-Expansion



this is one essential part for my [triggermatrix5](#)

Schematic



Building and BOM

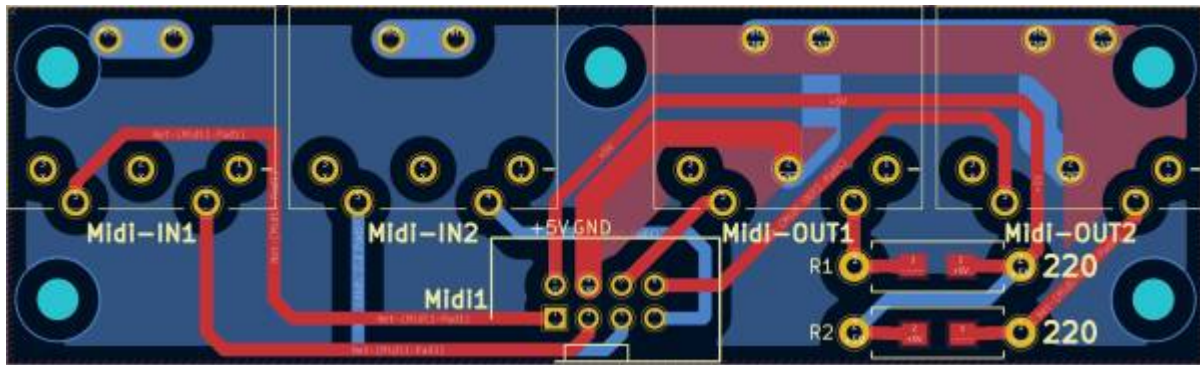
Handsolder, easy project...

BOM

^Qty ^Reference(s) ^Value ^Footprint ^Mouser^

1	Midi1	Pin-Head-2x4	PinHead-Shrd-2x4-THT	649-75869-232LF
4	Midi-IN1-2, Midi-OUT1-2	Din 5Pole	KCDX5SS2	806-KCDX-5S-S2
2	R1, R2	220	THT or 1206	SMD: 660-RK73B2BTDD221J THT: 281-220-RC

R1 and R2 can be solderd as Thruhole, or SMD1206 Package



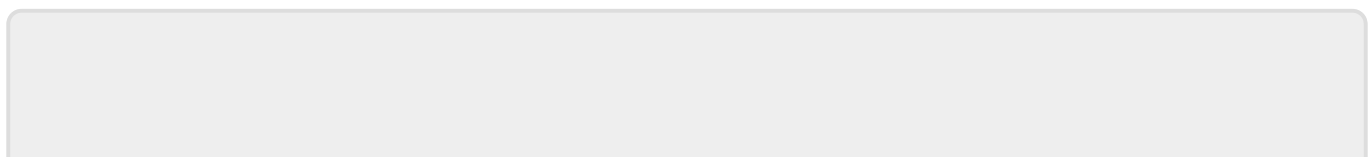
To Do

waiting for Prototype PCB

Community users working on it

- [Phatline](#) = PCB & Schematic, UI-Programming, Documentation...

Just let a Private message on the forum to user already involved.
or join the forum: [Triggermatrix 5](#)



From:
<https://www.midibox.org/dokuwiki/> - **MIDIbox**

Permanent link:
<https://www.midibox.org/dokuwiki/doku.php?id=core4discmidiex&rev=1671987291>

Last update: **2022/12/25 16:54**

