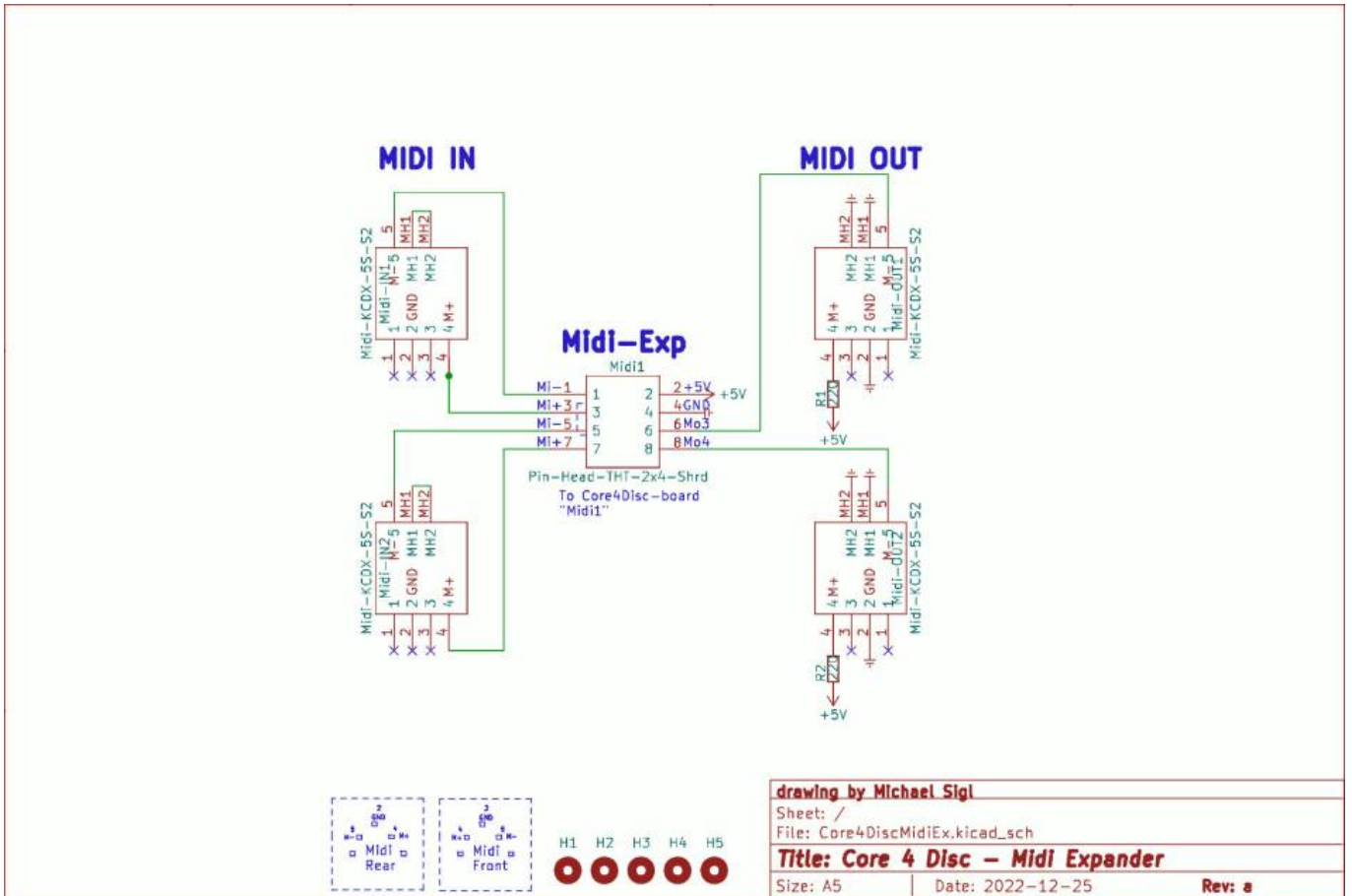


# Core4Disc Midi-Expansion



this is one essential part for my [triggermatrix5](#)

## Schematic



# Building and BOM

Handsolder, easy project...

## BOM

qty	reference	value	footprint	mouser
1	Midi1	Pin-Head-2x4	PinHead-Shrd-2x4-THT	649-75869-232LF
4	Midi-IN1-2, Midi-OUT1-2	Din 5Pole	KCDX5SS2	806-KCDX-5S-S2
2	R1, R2	220	THT or 1206	SMD: 660-RK73B2BTDD221J THT: 281-220-RC

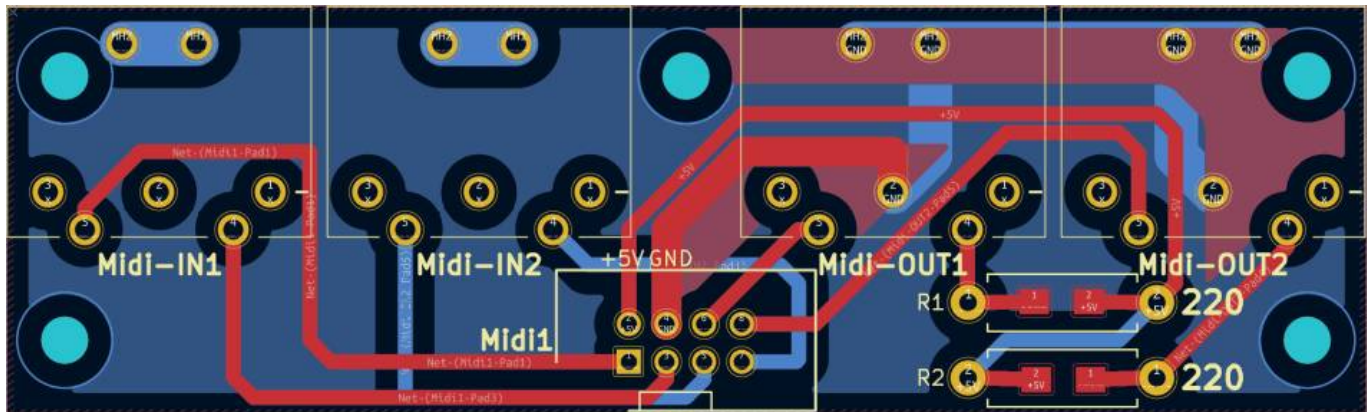
R1 and R2 can be solderd as Thruhole, or SMD1206 Package

## Order-List

copy following list into this [mouser.com-Link](https://www.mouser.com)



649-75869-232LF|1  
806-KCDX-5S-S2|4  
660-RK73B2BTDD221J|2



# To Do

waiting for Prototype PCB

# Community users working on it

- **Phatline** = PCB & Schematic, UI-Programming, Documentation...

Just let a Private message on the forum to user already involved.  
or join the forum: [Triggermatrix 5](#)

From:  
<https://www.midibox.org/dokuwiki/> - **MIDIbox**

Permanent link:  
<https://www.midibox.org/dokuwiki/doku.php?id=core4discmidiex&rev=1672257147>

Last update: 2022/12/28 19:52

