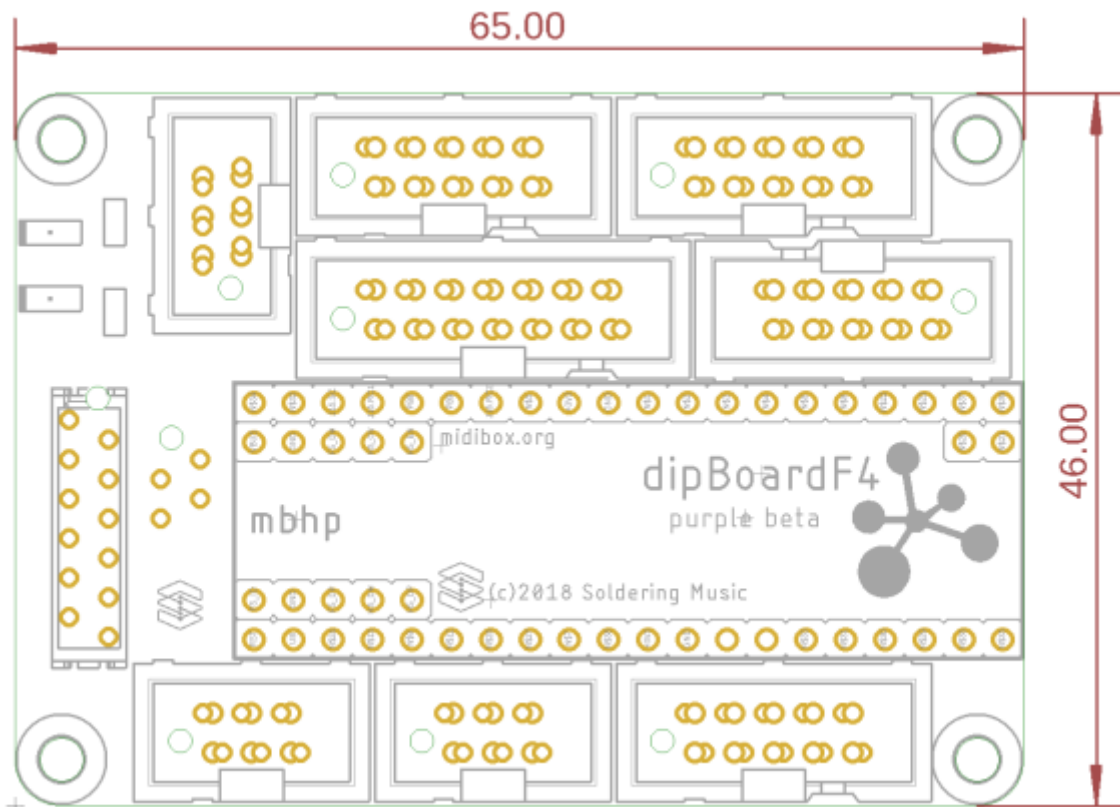


# dipBoard32

MIDIbox Hardware Platform extension for dipCore32.

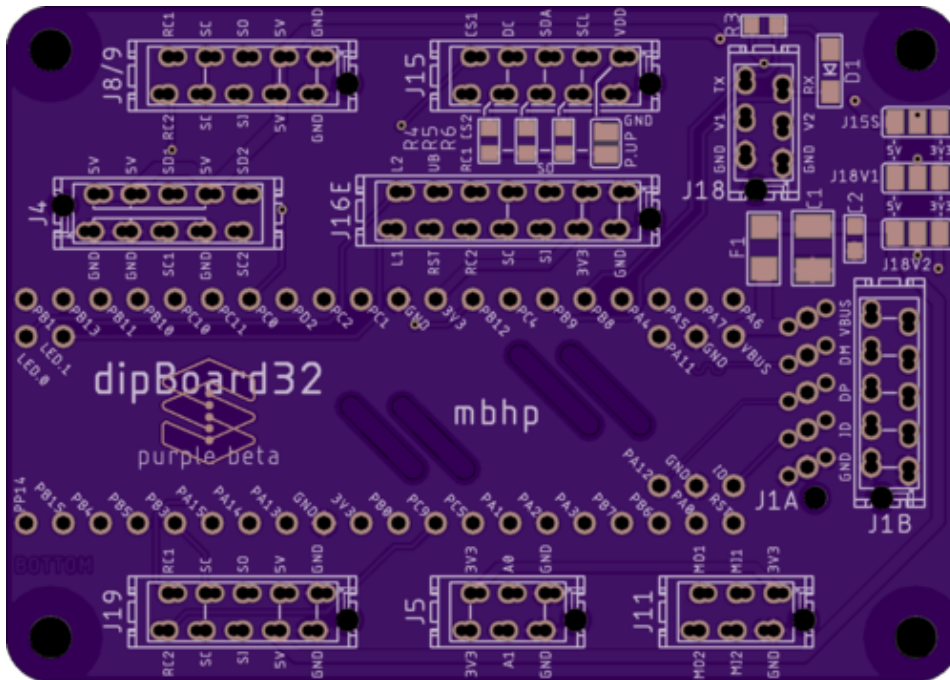
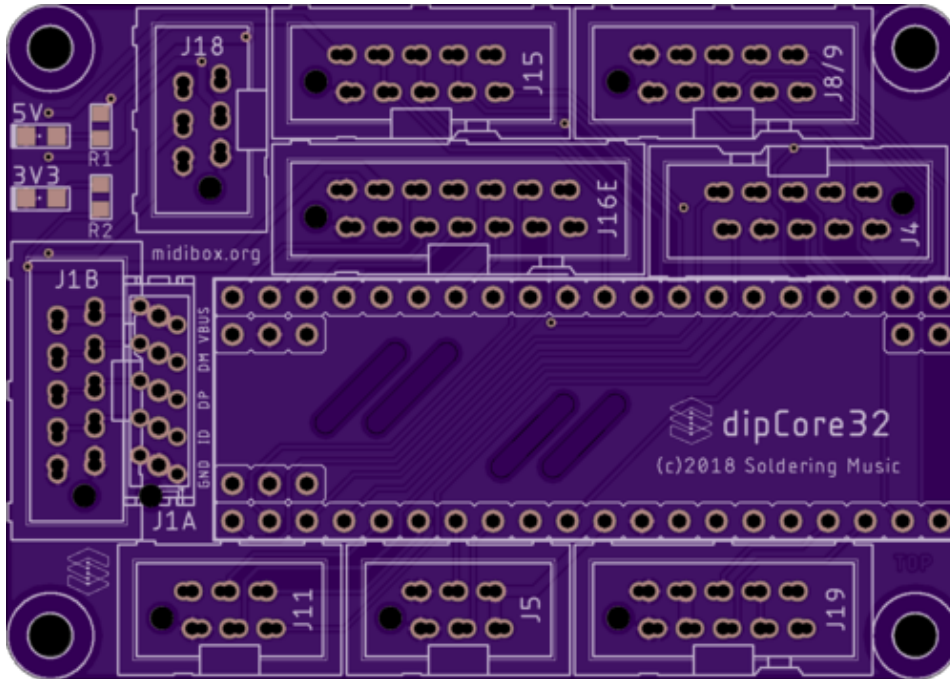
## features

## dimension

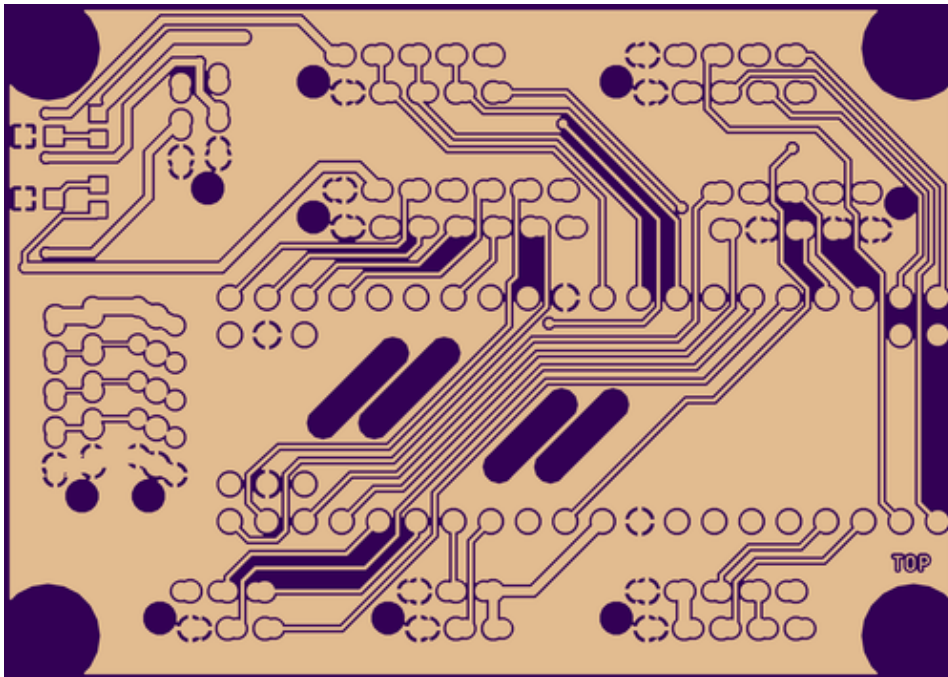


## PCB

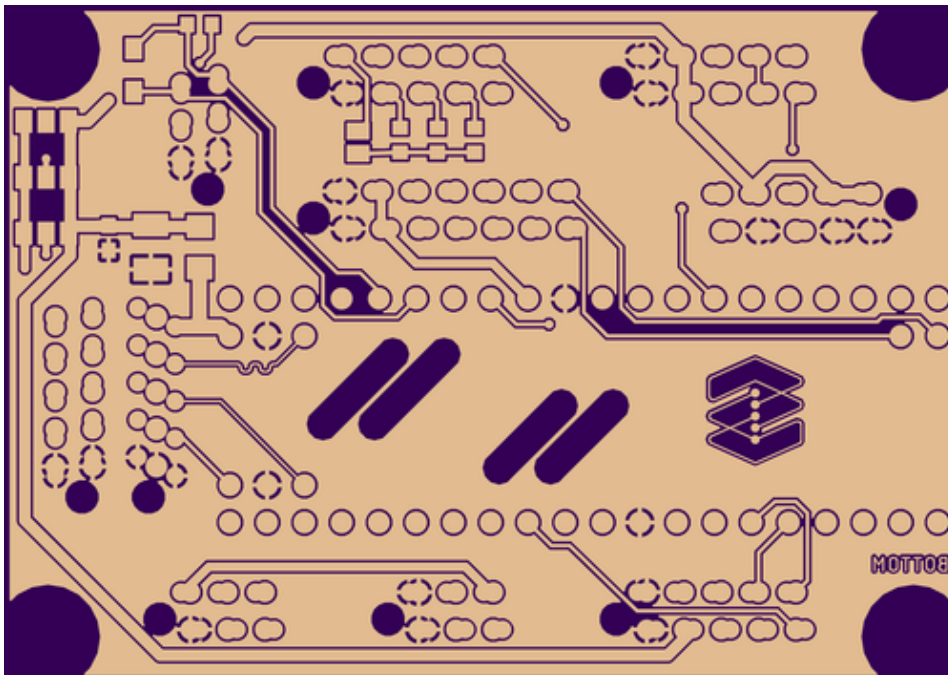
ToDo



Top copper



Bottom



From:  
<https://www.midibox.org/dokuwiki/> - **MIDIbox**

Permanent link:  
<https://www.midibox.org/dokuwiki/doku.php?id=dipboard32&rev=1535627629>

Last update: **2018/08/30 11:13**

