

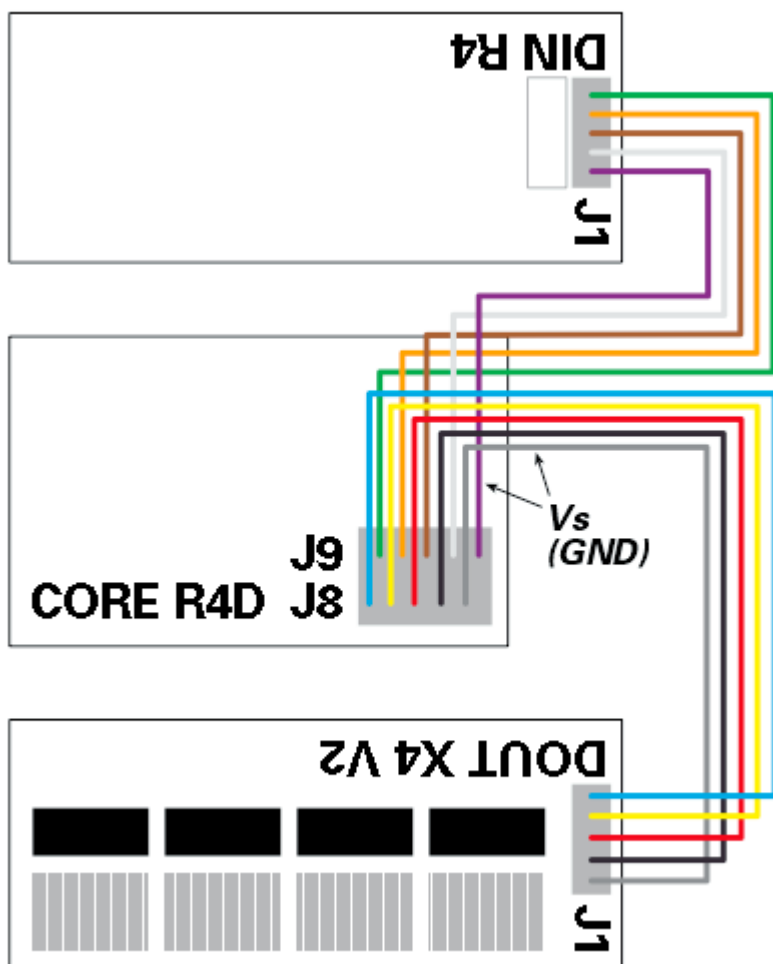
General Informations

A DOUT module is a digital output module, usually used to drive LEDs with a Midibox.

- [DOUT Module](#) uCApps
- [DIN & DOUT Pintable](#)

Connection to Core Module

Check the version of your Boards; if you're using SmashTV's Core that's equipped with double rows, you can build a split-cable to connect J8/J9 to a DIN and a DOUT:



From:
<https://www.midibox.org/dokuwiki/> - **MIDIbox**

Permanent link:
https://www.midibox.org/dokuwiki/doku.php?id=dout_module_digital_output&rev=1195399621



Last update: **2008/11/23 16:29**