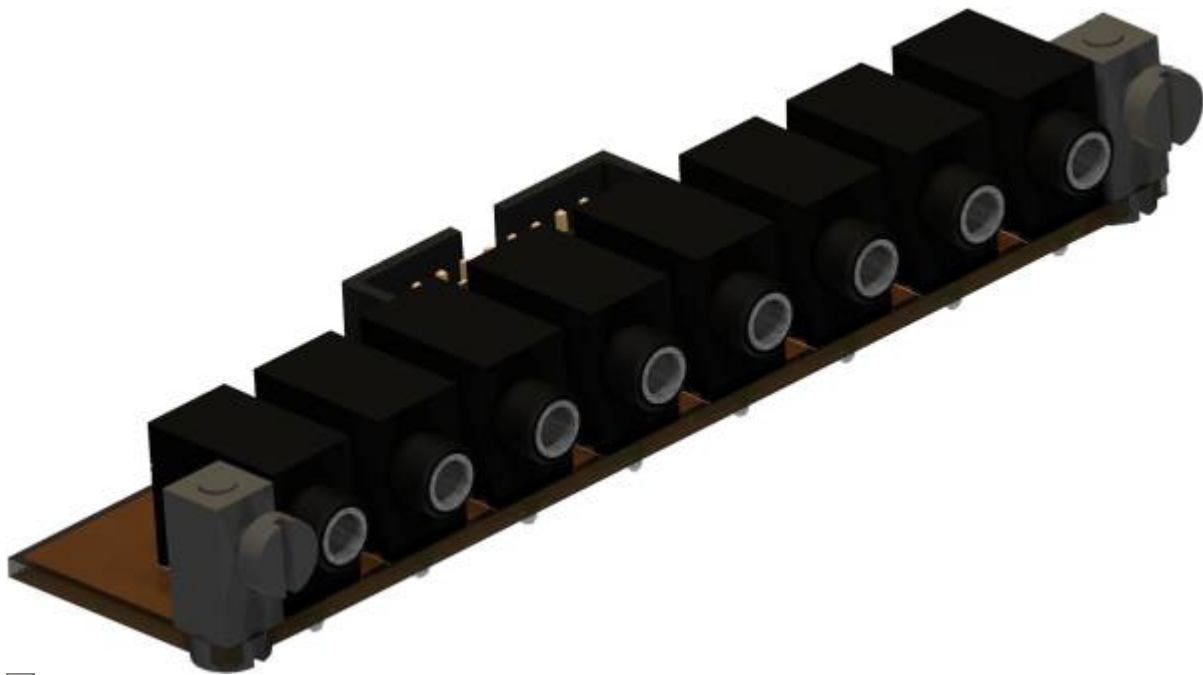
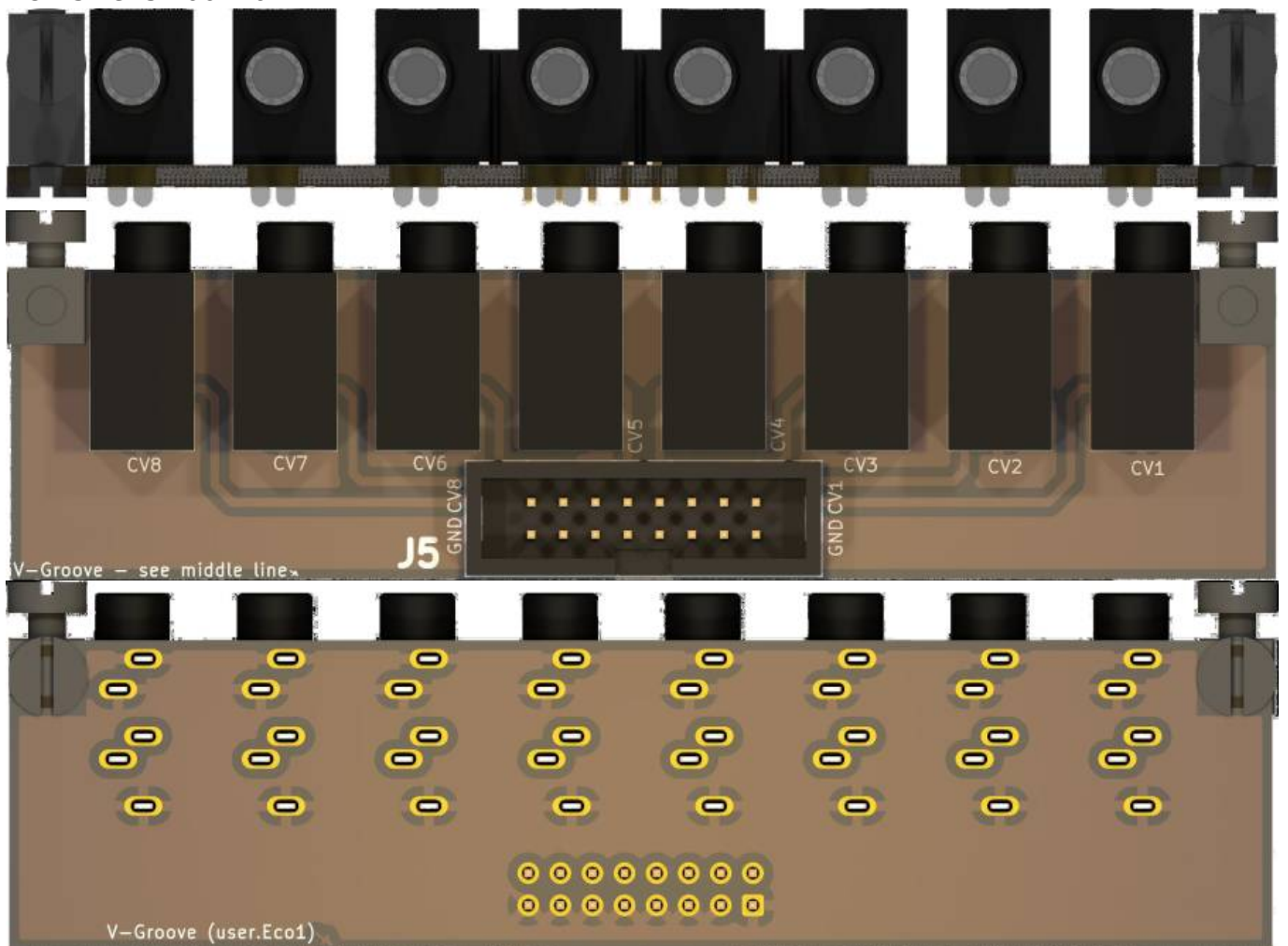
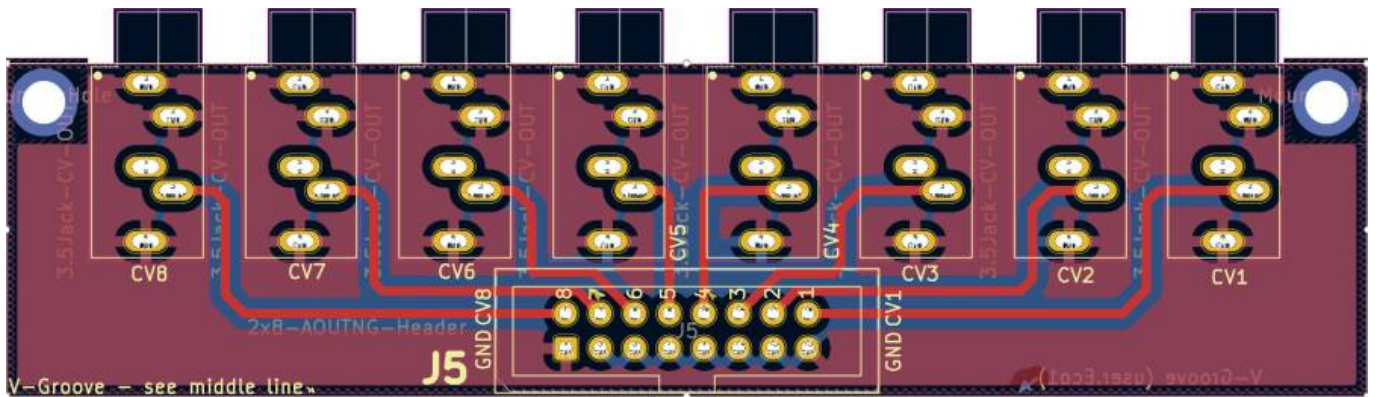
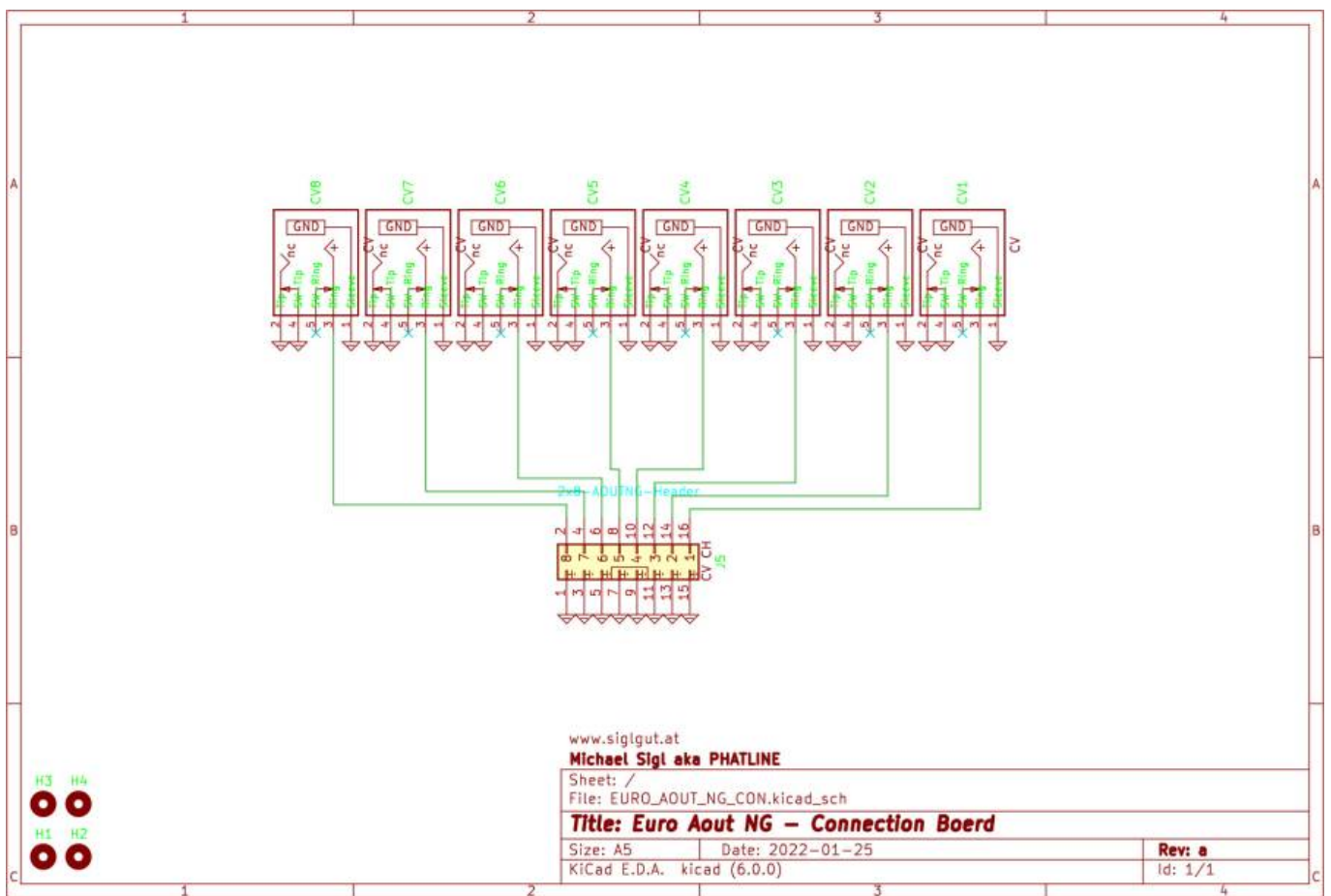


EuroRack - Midi IO - Board



PCB Size is 100x40mm





Hardware Requirements

- Soldering Iron - with a Dip that can Handle Thruhole-Parts solder Paste...
- The other Parts from the BOM
- a Midibox Core32 + Aout-NG

Building and BOM

All necessary Information is printed on the PCB, but also check the Schematic...

Mouser:

| Ref | Q | mouser | Type | Footprint | Description |
|-------|---|-----------------|----------------|----------------------------------|--|
| J5 | 1 | 517-30316-6002 | 2x8 Pin Header | 2x8 Pin Header 2.54 * 2.54 Pitch | to connect to Aout-NG J5 |
| J5 | 2 | 710-61201623021 | 2x8 Pin Header | 2x8 Pin Header 2.54 * 2.54 Pitch | to connect to Aout-NG J5 |
| U3 | 1 | 771-74HC14D-T | 74HC14 | SOIC-14 | SOLDER SKILLS |
| Cable | 1 | 617-09180407001 | Flat | | a quantity forEver - you may have that already |

2x [Leiterplatten Montageblock aka Standoffs](#) 100x summed 30€

You will also need M3 Screws - 2 off them...

Also here it is clever to order 100 pieces for a cheaper price - you will need this on all my projects...

if you order the PCB via my Gerbers you get 4 PCB on 1 100x100mm PCB... on JLCPCB you get min 5 of these PCBs... so you may order the needed Parts 20x times

Frontpanel

Recommend Material

2mm x 128.5 x 17.78 Aluminium, anodised

A cheaper way is: order a 1,6mm thick Aluminium PCB as Frontpanel:

I will test this... this are the gerbers:

To Do

waiting for the PCBs and Panels...

Community users working on it

- [Phatline](#) = PCB & Schematic, Documentation...

Just let a Private message on the forum to user already involved.

Last update: 2022/01/25 02:55 euro-aout-ng-connector-board <https://www.midibox.org/dokuwiki/doku.php?id=euro-aout-ng-connector-board&rev=1643079309>

From:
<https://www.midibox.org/dokuwiki/> - **MIDIbox**

Permanent link:
<https://www.midibox.org/dokuwiki/doku.php?id=euro-aout-ng-connector-board&rev=1643079309>

Last update: **2022/01/25 02:55**

