

LRE8x2 096 SSD1306-BAR for Eurorack V2



Eurorackpanel;
 LRE-OLED-BAR & LRE8x2 V2.5 This Design is planned for SMD-LEDs - and Screens, - It only will work for transparent Plates - else it must be adaptiel (mor drill holes) designed by Michael Sigi > www.siggut.at



Eurorackpanel;
 LRE-OLED-BAR & LRE8x2 V2.5 This Design is planned for SMD-LEDs - and Screens, - It only will work for transparent Plates - else it must be adaptiel (mor drill holes) designed by Michael Sigi > www.siggut.at



I made this PCBs to use it with Fairlightii´s [mb-lre8x2cs_pcb](#)

PCB

I didnt panalize it, so you have to do this when ordering the PCB online
 you will need 4 PCBs per LRE8x2... normally you want to order 8 PCBs (using 2x LRE8x2)



Here are the gerberfiles for production - i made it with [JLCPCB](#)
[lre-oled-bar2-gerber.zip](#)



Home / My Account / Order history / W20220



Submitted

2022-01-13



Paid

2022-01-13



Reviewed



In Production



Shipped

Shipping Information

Shipping Address:

michael

Oberösterreich, [Innsbruck, Innsbrucker Platz 11, 6020 Innsbruck, Austria](#)

Shipping Method: Standard Global Direct Line

Payment Information

Payment method: paypal

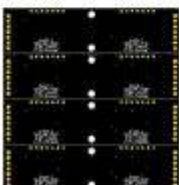
Payment received: 2022-01

Order total: €6.77

Item Details

Price Qty

Operate



LRE-OLED

€1.75 5 pcs

Order Number: Y12-2436262A

Order Status: Reviewing

Gerber file: [LRE-OLED](#)

Build Time: 3 days

MERCHANDISE TOTAL: €1.75

SHIPPING CHARGE: €4.59

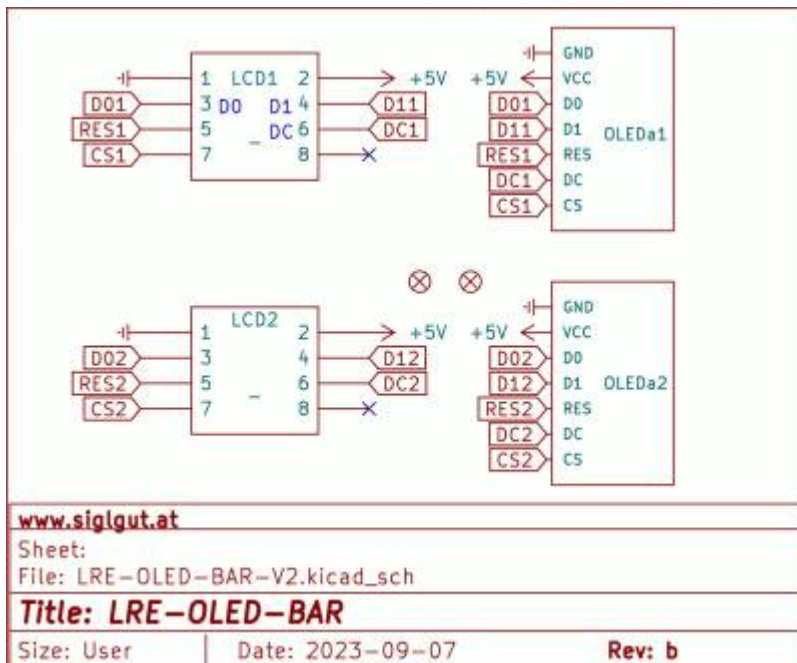
PAYPAL FEE: €0.44

ORDER TOTAL: €6.77

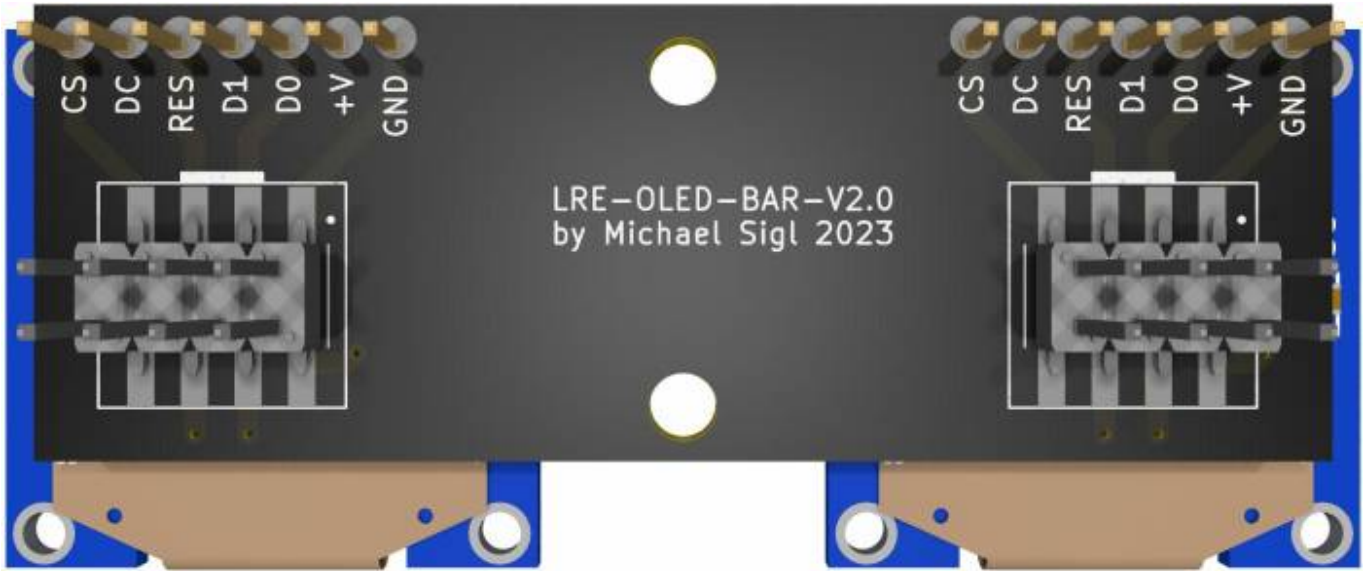
Hardware Requirements

- http://www.ucapps.de/mbhp_core_stm32f4.html MIOS32 Core to connect too
- [DisplayDriver-SMD](#) which buffers the Displays
- Soldering Iron - with a Dip that can Handle Thruhole-Parts, solder Paste...
- [mb-lre8x2cs_pcb](#) for its nature use
- [LRE5-LCD2](#) as UI to handle Patch management and automation (if you want to use my code...)

Schematic



Building and BOM



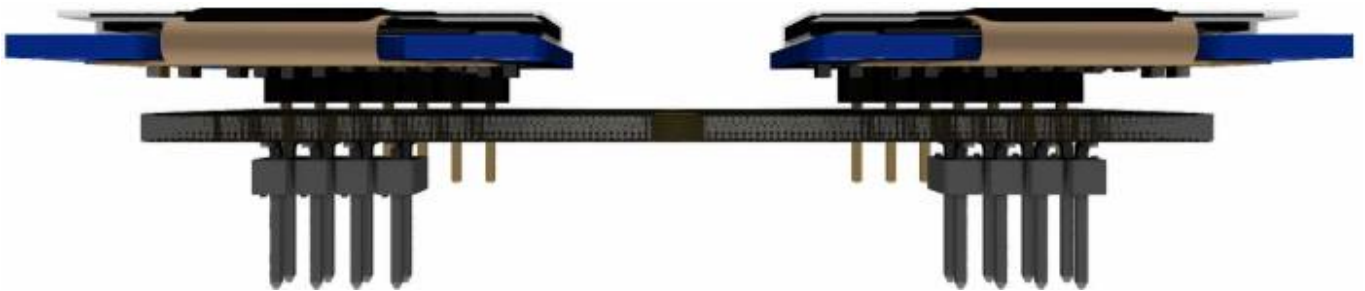
Following Quantity is for 1 PCB (you may need this up to 8 times!:

2x 1Row 7Pin Male headers (2.54mm pitch) - normally delivered with the Displays!

2x 8PIN Ribbon Connectors (2x4Pin Female) + Cables [mouser](#)

2x 8PIN Ribbon Terminals (2x4Pin Male) SMD Variant [at JLCPCB](#)

2x 0.96" SSD1306 Screens 7Pin Variant! i recommend white ones [at Ali express](#)



Frontpanel



I made a DXF File which you can send to [Formulor in Germany](#)

i panalized it so there are 2 Plates in it

I payed 40€ summed for booth plates incl shipping from Germany to Austria

[lre-oled-bar2-fp-formular.zip](#)

Recommend Material from Formulor:

3mm Acrylglas GS 384x384mm, mittelgrau transparent(7C83)

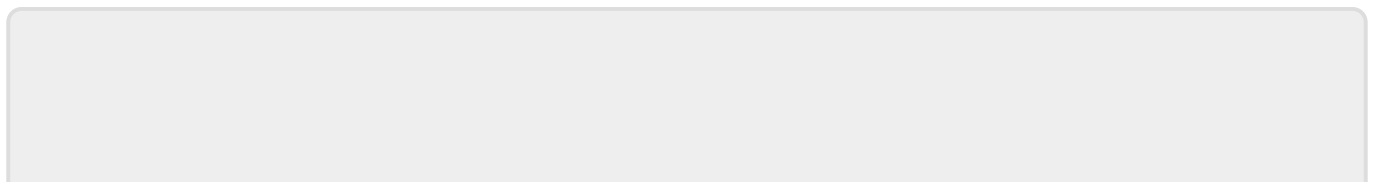
To Do

The LRE-OLED-Bar & The Frontpanel are a Part of my [MSQ-CC-LRE-V2](#)
so look there for more information....

Community users working on it

- [Phatline](#) = PCB & Schematic, UI-Programming, Documentation...

Just let a Private message on the forum to user already involved.



From:

<https://www.midibox.org/dokuwiki/> - **MIDIbox**

Permanent link:

<https://www.midibox.org/dokuwiki/doku.php?id=lre-oled-bar2&rev=1694118840>



Last update: **2023/09/07 20:34**