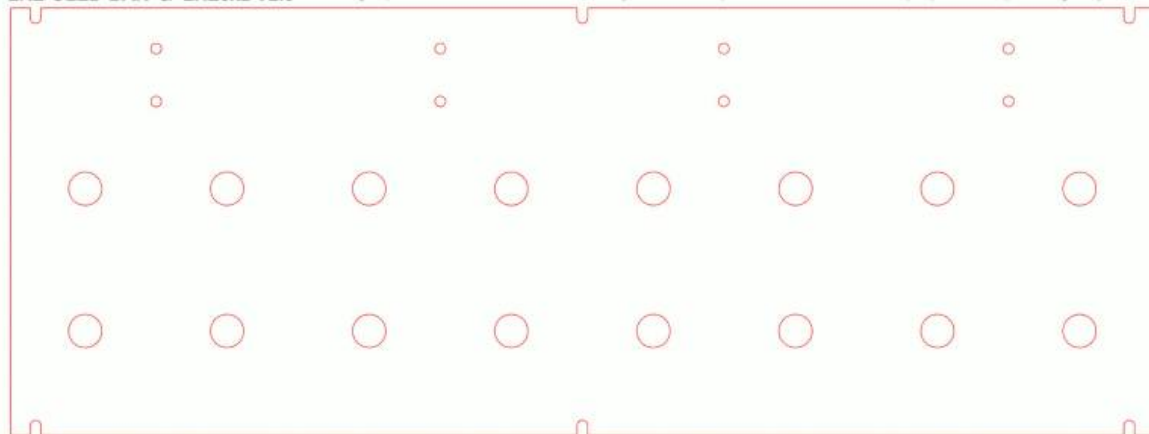


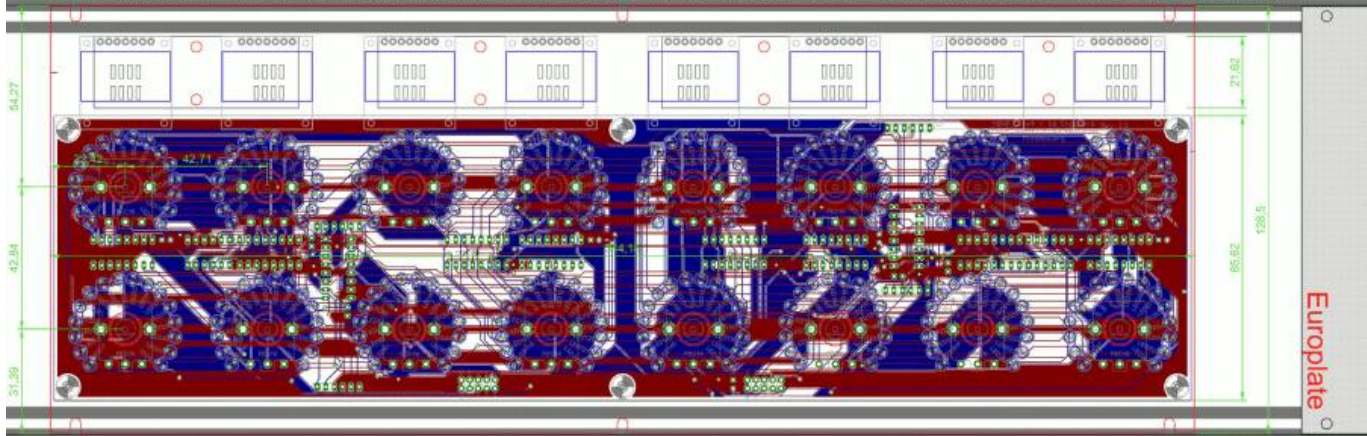
LRE8x2 096 SSD1306-BAR for Eurorack V2



Eurorackpanel;
 LRE-OLED-BAR & LRE8x2 V2.5 This Design is planned for SMD-LEDs - and Screens, - It only will work for transparent Plates - else it must be adaptiel (mor drill holes) designed by Michael Sigi > www.siggut.at



Eurorackpanel;
 LRE-OLED-BAR & LRE8x2 V2.5 This Design is planned for SMD-LEDs - and Screens, - It only will work for transparent Plates - else it must be adaptiel (mor drill holes) designed by Michael Sigi > www.siggut.at



I made this PCBs to use it with Fairlightii´s [mb-lre8x2cs_pcb](#)

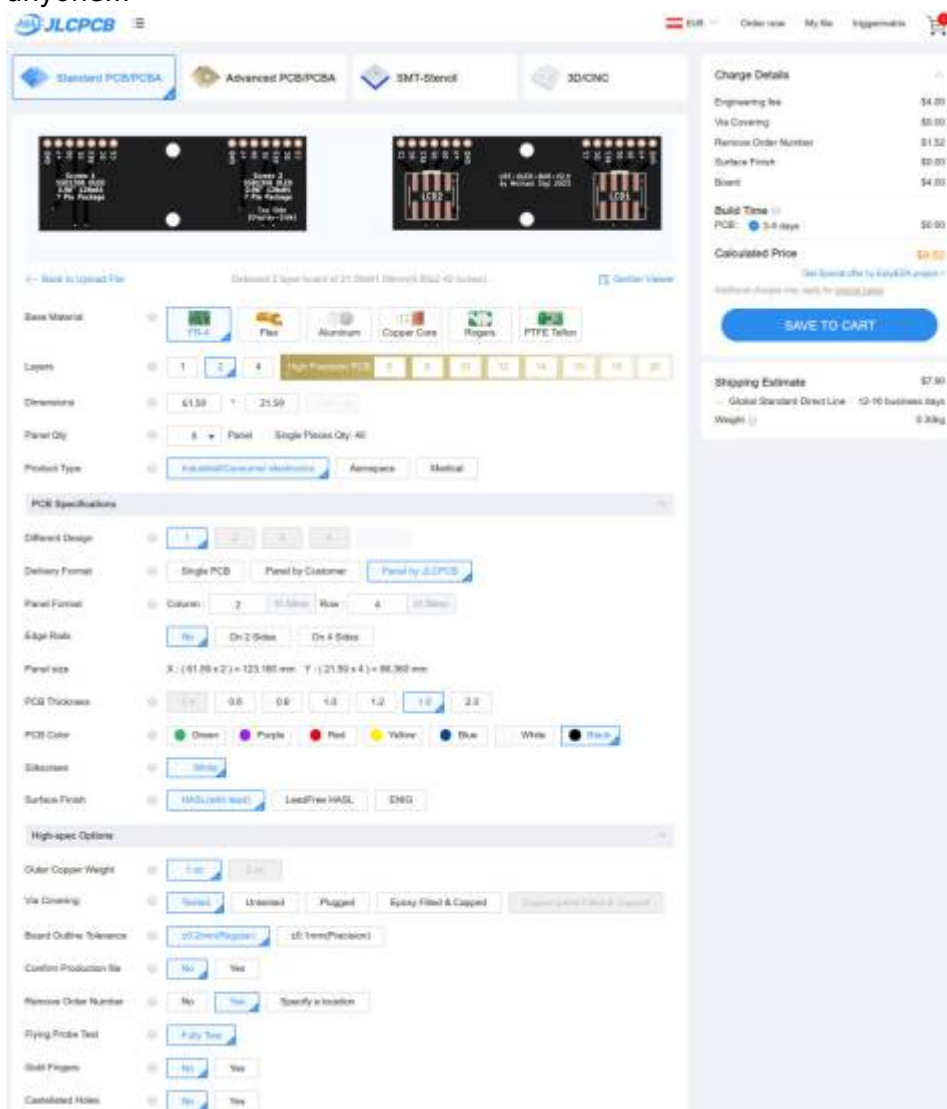
PCB

I didnt panalize it, so you have to do this when ordering the PCB online
 you will need 4 PCBs per LRE8x2... normally you want to order 8 PCBs (using 2x LRE8x2)



Here are the gerberfiles for production - i made it with [JLCPCB](#)
[lre-oled-bar2-gerber.zip](#)

These are the settings, if you want to V-Groove it you have to panalize it at 2x4 PCBs at one pcb. the minimal order is 5 PCBs... so you may have then 4 sets left that you can sell or make a present for anyone...



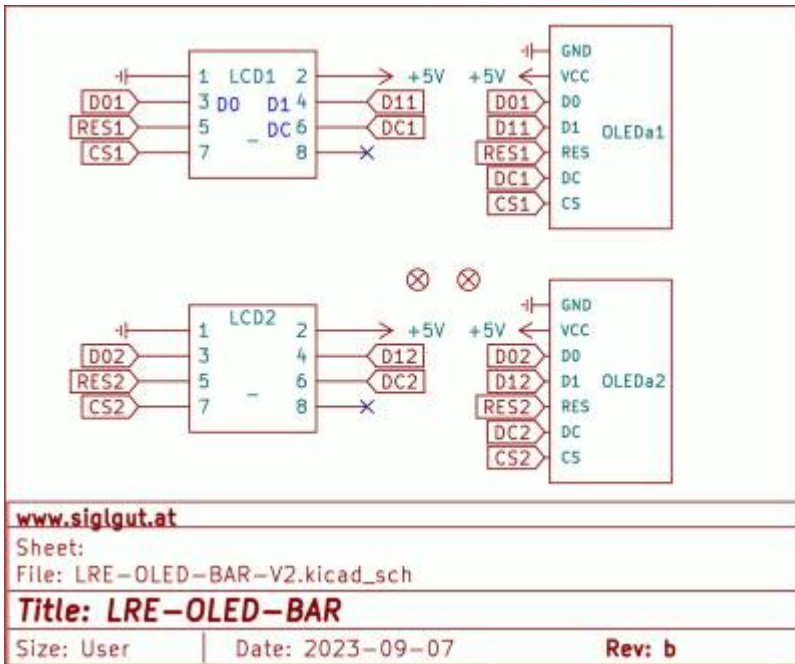
If you use EuroPacket as shipping method you will pay 26€ / thats incl import duty and taxes!

Hardware Requirements

- http://www.ucapps.de/mbhp_core_stm32f4.html a MIOS32 Core to connect too

- [DisplayDriver-SMD](#) which buffers the Displays
- Soldering Iron - with a Dip that can Handle Thruhole-Parts, solder Paste...
- [mb-lre8x2cs_pcb](#) for its nature use
- [LRE5-LCD](#) as UI to handle Patch management and automation (if you want to use my code...)
- You may need a [DINX4](#) Module, in order to get the encoders inbuilt Pushbotton to work
- I have not already you will need a IDC-Crimper for all your Midibox Cables [reichelt](#)

Schematic

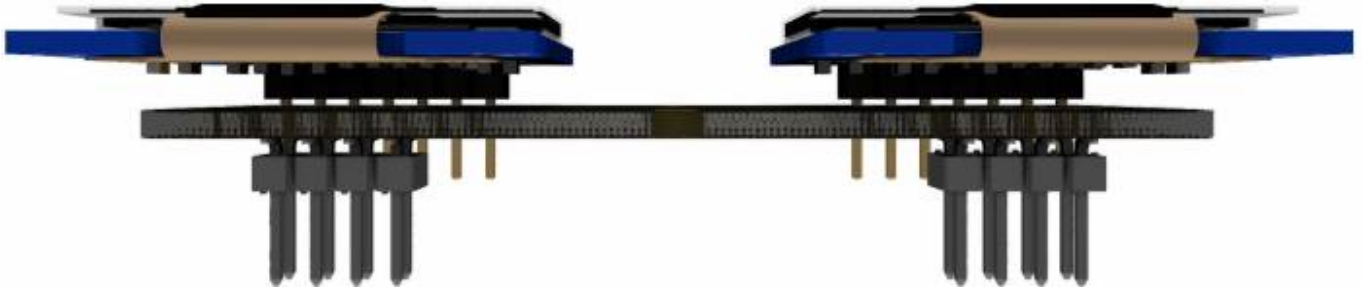


Building and BOM



Following Quantity is for 1 PCB (you may need this up to 8 times!):

- 2x 1Row 7Pin Male headers (2.54mm pitch) - normally delivered with the Displays!
- 4x 8PIN Ribbon Connectors (2x4Pin Female) + Cables [mouser](#)
- 2x 8PIN Ribbon Terminals (2x4Pin Male) SMD Variant [JLCPCB](#)
- 2x 0.96" SSD1306 Screens 7Pin Variant! i recommend white ones, order 2 extras because you might have faulty ones because of Heat-Soldering Damage and replacement for later repair.. [Ali express](#)
- 2x 8Pin Ribbon Cables (i recommend to order a lot off them)
- 2x M3 Black Screws - cant remember the length - 1,5cm is enough
- 2x M3 Black Acrylic Spacers - cant remember the right length - i guess 6mm? [mouser](#)
- 2x M3 Nuts



Frontpanel



I made a DXF File which you can send to [Formular in Germany](#)

i panalized it so there are 2 Plates in it

I paid 40€ summed for booth plates incl shipping from Germany to Austria

[lre-oled-bar2-fp-formular.zip](#)

Recommend Material from Formular:

3mm Acrylglas GS 384x384mm, mittelgrau transparent(7C83)

To Do

The LRE-OLED-Bar & The Frontpanel are a Part of my [MSQ-CC-LRE-V2](#) so look there for more information....

Community users working on it

- **Phatline** = PCB & Schematic, UI-Programming, Documentation...

Just let a Private message on the forum to user already involved.

From:

<https://www.midibox.org/dokuwiki/> - **MIDIbox**

Permanent link:

<https://www.midibox.org/dokuwiki/doku.php?id=lre-oled-bar2&rev=1694121420>

Last update: **2023/09/07 21:17**

