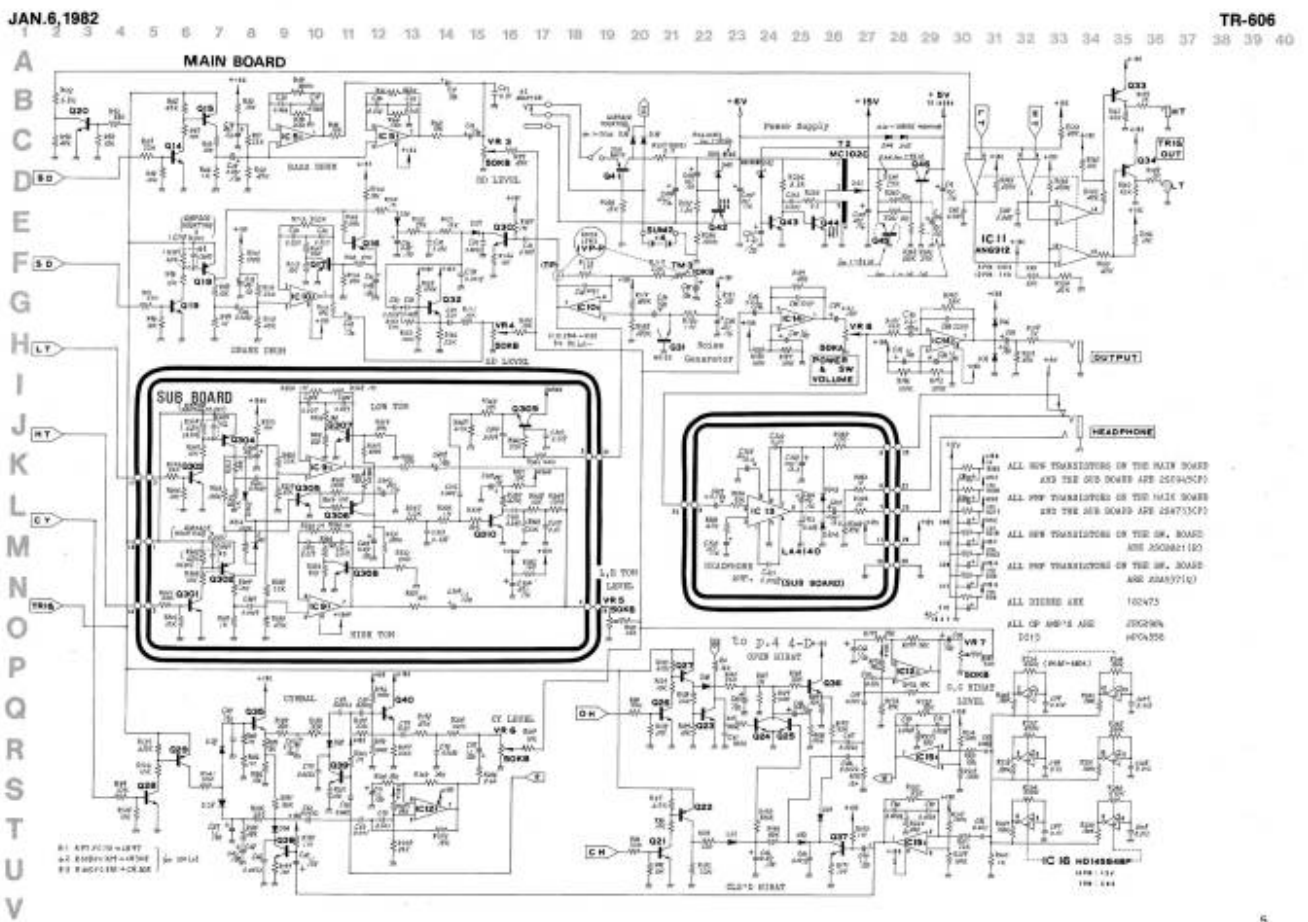


# MB-606RE

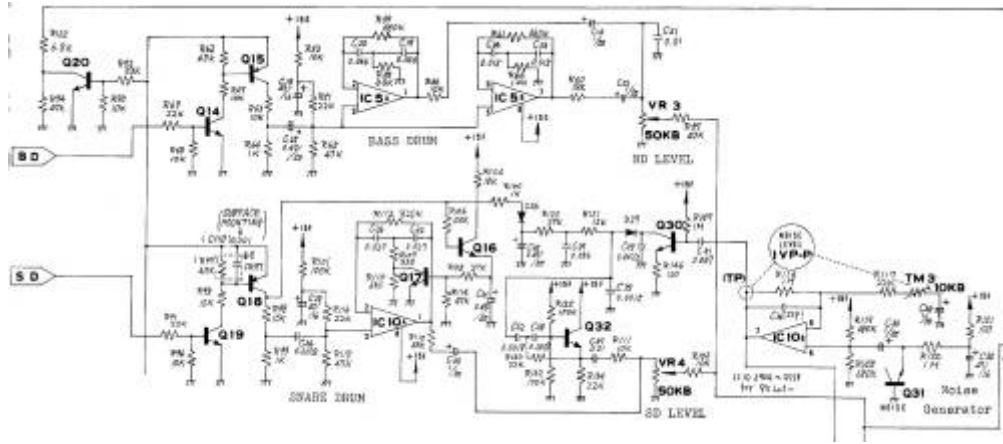
## Introduction

The MB-606RE is a re-edit of CYM/HH and BD/SD drum parts of the Roland TR-606 to be controlled via MIDI (midibox MB-Modulbox) or CV through analog-Sequencers , in a a Eurorack-designed panel. Well known Circuit Mods from around Web & time are included by default.

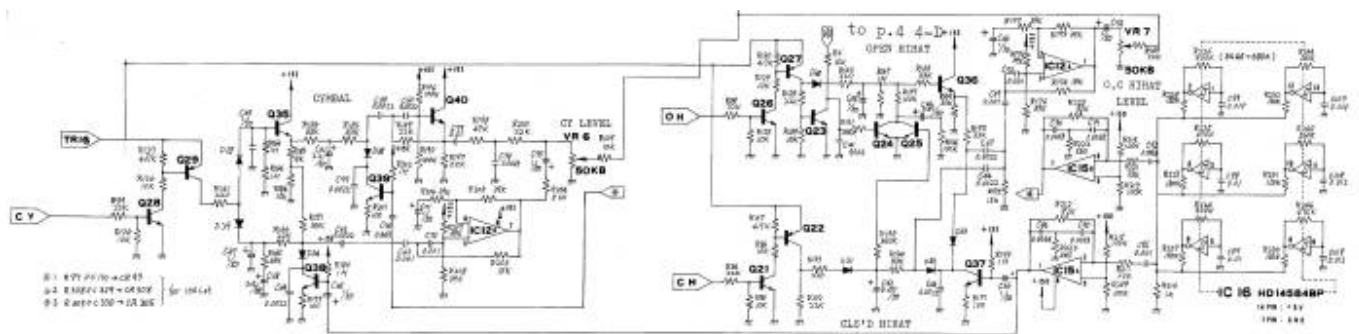
## Original Schematics



## BD / SD



## CY / HH



## Mods

### Mod Sources

- [Geoff Waterston](#)
- [confusedmachines](#)
- [amazona-workshop](#)

### Analog Mods

- **HH Noise:** 10K or 50K lin or log, have to check, originally 10K trimpot, only change volume not to absolutely silence.
- **6OSC-Gain:** 50K log (not sure)
- **CY-HH Ext:** 50K lin
- **CY-HH BPF-Resonance:** 100K Stereo lin
- **CY-HH BPF1:** 5K lin
- **CY-HH BPF2:** 5K lin
- **CY-HPF:** : 50K log
- **HH-HPF:** 50K log
- **OH Decay:** 1M lin
- **CH Decay:** 1M lin
- **CY Decay:** 2M lin (internet) Phats machine has a 4M log

- **BD Tune:** 50K Log
- **BD Decay:** 2M lin
- **BD Tone:** 100K lin
- **Noise:** 50K log
- **SD Snappy:** 100K lin
- **SD Decay:** 500K lin
- **SD Tune:** 1M lin

## On-Going

### 1. UI Parts Listing

#### Frontpanel

Value	Type	Qty
3.5mm Jack	Vertical PCB-Mount	13
Switch	SPDT Vertical PCB-Mount ON-OFF-ON	1

#### Pots / Knobs

- [Alps RK11K Series](#)
- [Alpha Pots @ Thonk](#)
- [Knobs Suppliers](#)

Value	Type	Qty
5K	Linear	2
10K	Linear	6
50K	Linear	6
50K	Logarithmic	6
100K	Linear	2
1M	Linear	3
2M?	Linear	2
Knobs	Soft/Plastic/Alu	31

### 2. BD/SD - CYM/HH Parts Listing

#### Modded BD

Value	Type	Qty	Original Designation
2SA733/BC547	Transistor	1	Q15
2SC945/BC557	Transistor	2	Q14,Q20
JRC2904/LM2904	OpAmp	1	IC5
50KΩ	Pot Log	2	Level, ModTune
100KΩ	Pot Linear	1	ModTone
2MΩ	Pot Linear	1	ModDecay
0,47μF/50V	Capa Elec	1	C25

Value	Type	Qty	Original Designation
1µF/50V	Capa Elec	1	C22
33µF/16V	Capa Elec	1	C19
47µF/16V	Capa Elec	1	C18
0,015µF	Capa Ceram	2	C23,C24
0,01µF	Capa Ceram	1	C21
1KΩ	Res 1/4W	1	R64
3,3KΩ	Res 1/4W	1	R58
4,7KΩ	Res 1/4W	1	R62
6,8KΩ	Res 1/4W	1	R122
10KΩ	Res 1/4W	5	R52,R56Mod/R67/R68/R93
22KΩ	Res 1/4W	2	R51,R69
33KΩ	Res 1/4W	1	R92
47KΩ	Res 1/4W	3	R59,R65,R94
100KΩ	Res 1/4W	1	R57
470KΩ	Res 1/4W	1	R56
560KΩ	Res 1/4W	1	R61

### Modded Noise/SD

Value	Type	Qty	Original Designation
2SA733/BC547	Transistor	1	Q18
2SC945/BC557	Transistor	6	Q19,Q17,Q16,Q30,Q31,Q32
JRC4558/NJM4558D	OpAmp	1	IC10
50KΩ	Pot Log	2	Level,Noise
100KΩ	Pot Linear	1	ModSnappy
500KΩ	Pot Linear	1	ModDecay
1MΩ	Pot Linear	1	ModTune
1N4148	Diode	2	D26,D27
22pF	Capa Ceram	1	C36Mod
0,001µF	Capa Ceram	1	C97
0,0015µF	Capa Ceram	1	C38
0,0018µF	Capa Ceram	2	C52,C58
0,0033µF	Capa Ceram	1	C34
0,01µF	Capa Ceram	1	C57
0,027µF	Capa Ceram	2	C32,C33
0,047µF	Capa Ceram	1	C51
0,055µF	Capa Ceram	1	C37
2,2µF	Capa Ceram	1	C35Mod
0,47µF/50V	Capa Elec	2	C31,C35
1µF/50V	Capa Elec	2	C30,C53
47µF/16V	Capa Elec	2	C28,C54
100Ω	Res 1/4W	2	R146,R151
330Ω	Res 1/4W	2	R107,R153
680Ω	Res 1/4W	1	R115
1KΩ	Res 1/4W	2	R99,R100

Value	Type	Qty	Original Designation
2,2KΩ	Res 1/4W	1	R91Mod
4,7KΩ	Res 1/4W	1	R97
5,6KΩ	Res 1/4W	1	RDecayMod
10KΩ	Res 1/4W	5	R95,R96,R98,R102,R111
15KΩ	Res 1/4W	1	R121
18KΩ	Res 1/4W	1	R104
22KΩ	Res 1/4W	2	R113,R154
27KΩ	Res 1/4W	2	R105,R120
47KΩ	Res 1/4W	2	R114,R118
68KΩ	Res 1/4W	2	R110,R148
100KΩ	Res 1/4W	4	R101,R106,R152,R155
470KΩ	Res 1/4W	1	R112Mod
680KΩ	Res 1/4W	1	R119
1MΩ	Res 1/4W	3	R116,R147,R150

**Modded CY**

Value	Type	Qty	Original Designation

**Modded HH**

Value	Type	Qty	Original Designation

**3.MB-Modulbox-Main2-PCB > 4xAOUT\_LC + 8xTrigger In PCB Parts Listing**

Integrate CV Scaling circuit

Value	Type	Qty	Original Designation

**4.Footprints List**

- ALPS Pots
- Alpha Pots
- 3,5mm Jack
- Switch

**5. Schematics in KiCAD**

[KiCad Pre-Project MAIN by Phatline](#) » schematics have to be overworked

1. Analog drums PCBs
2. UI PCBs
3. Special MB-Modulbox-Main2 PCB (4xAOUT-LC+8xTrigger out)

From:

<https://www.midibox.org/dokuwiki/> - **MIDIbox**

Permanent link:

<https://www.midibox.org/dokuwiki/doku.php?id=mb-606re>

Last update: **2016/08/04 20:09**

