

BULK ORDER MB-LRE8x2CS rev 4.6

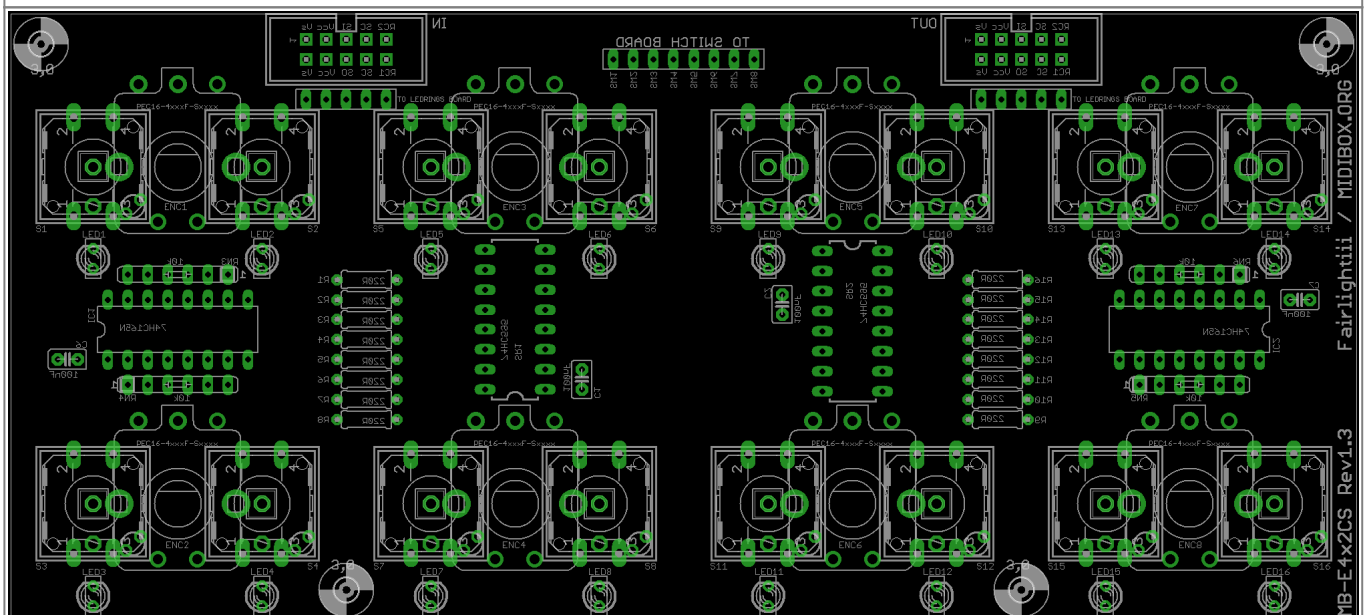
The time-frame of the bulk order is not still well defined but it should take place in april/may of 2014.

You will find the technical informations about the MB-LRE8x2CS rev 4.6 PCB [here](#).

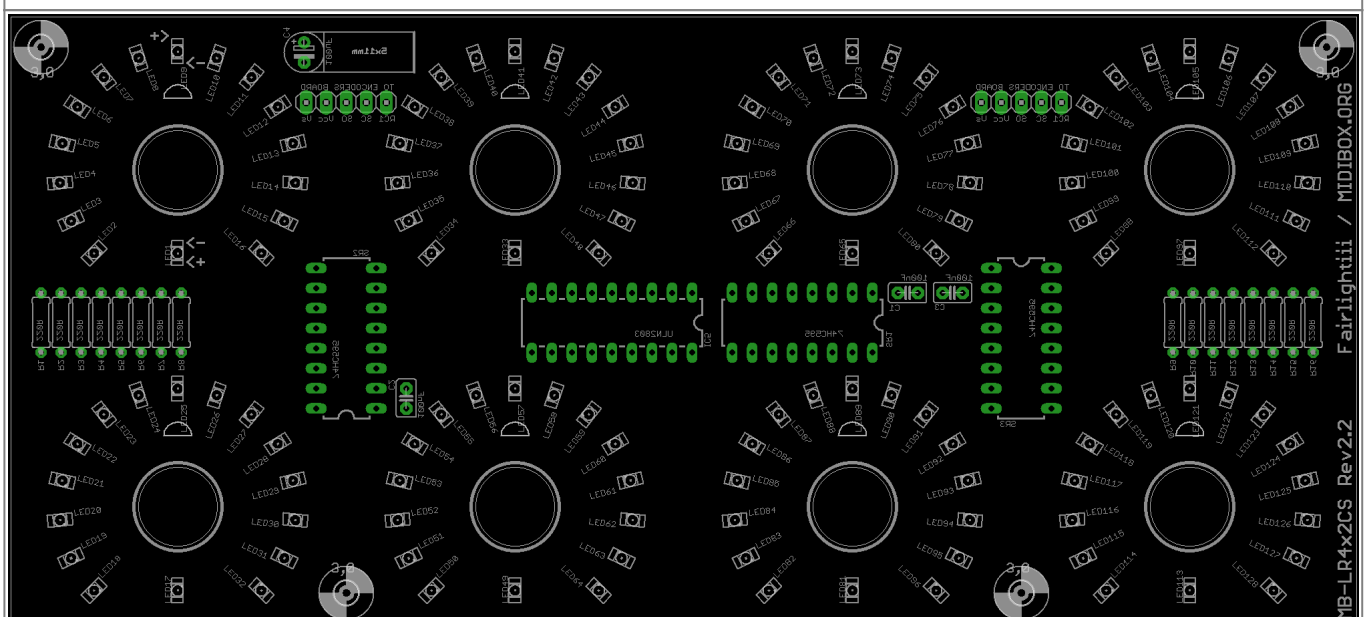
I need to know also how much is the interest for:

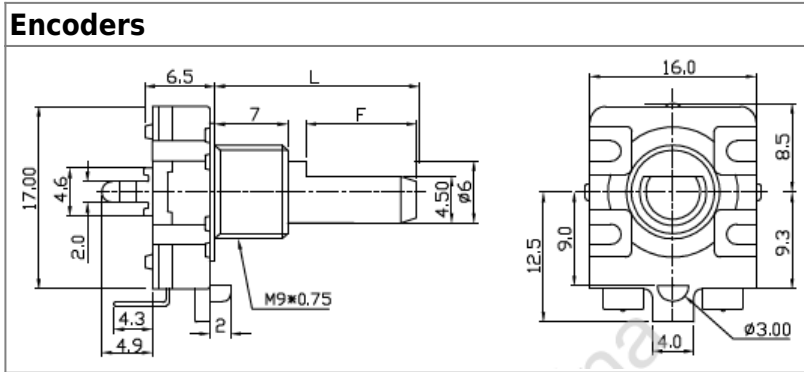
- MB-LR4x2CS_RED: 4x2 LEDrings board already populated by (128x) 1206 red SMD LEDs but without encoders footprint,
- MB-LR4x2CS_BLUE: 4x2 LEDrings board already populated by (128x) 1206 blue SMD LEDs but without encoders footprint,
- MB-E4x2CS: 4x2 Encoders board, MB-LR4x2CS and MB-E4x2CS can be stacked one on the other.
- 20mm shaft undetented 16mm encoder, typically to use with *MB-LRE8x2CS*,
- 25mm shaft undetented 16mm encoder, typically to use with *MB-E4x2CS*.

MB-E4x2CS



MB-LR4x2CS





Notes:

- MB-LR4x2CS consists of improved DOUTx3 modules and 8 SMD LEDrings. There is 8 holes (D=10mm) to let pass the shaft of the encoders toward.
- MB-E4x2CS: consists of DINx2 modules and 8 encoders. I added also as option a DOUTx2 chain, the footprint for 16 LEDs and 16 tact switches ([E-Switch TL1100](#) / [OMRON B3F-40XX](#)) onto the board so you can use it standalone with 16 switches or a mix of n x encoders + $(16-2n)$ x switches (4 encoders + 8 switches e.g.) with for each switch the LED feedback.

EDIT: I added also the footprint for the [6425 MARQUARDT](#) switch (with LED).

- MB-LR4x2CS and MB-E4x2CS have the same size: 6,716 x 3,025 inch (170,5864 x 76,835 mm) and their mounting holes match together.
- All the encoders are undetended and have a rational life of 100,000 cycles (...good quality).

Price list

All the price below are indicative. They will be definitive when the bulk order will start.

The accuracy of all this prices is enough good except for MB-LR4x2CS (because of the numbers of parameters to take in count).

	MB-LRE8x2CS	MB-LR4x2CS	MB-LR4x2CS	MB-E4x2CS
units	Rev 4.6	RED	BLUE	
>100	11€	13,50>17,50€	13,50>17,50€	7€
>150	10€	13>17€	13>17€	6,50€
>200	9,75€	12,75>16,75€	12,75>16,75€	6,25€
Notes		LEDs included	LEDs included	
	16mm encoder	16mm encoder	Price	
units	Shaft=20mm	Shaft=25mm	/unit	
>1500	15,50€	15,50€	0,62€	
>2000	14€	14€	0,56€	
>3000	13,50€	13,50€	0,54€	
Notes	By 25 units	By 25 units		

Waitinglist

You can already fill your Username in the list below.

It is not an engagement but for me to estimate the amount of people interested and the number of boards/encoders and the shipping material that I will have to order.

1. Log into the Wiki (create an account if any),
2. Click on the "Edit this page" button ("pencil" symbol in the top right corner of this page),
3. Add your MIDIbox Forum username and the number of PCBs and encoders (multiple of 25) you would like,
4. Don't forget to update the quantities to the end of the list.

Use your full and **correct FORUM (not the wiki) name**, so I can reach you via PM or email.

Do not edit anything else on this page (except to correct my English or spelling mistakes!).

	MB-LRE8x2CS	MB-LR4x2CS	MB-LR4x2CS	MB-E4x2CS	16mm encoder	16mm encoder
	Rev 4.6	RED	BLUE		Shaft=20mm	Shaft=25mm
Username					<i>(multiple of 25)</i>	<i>(multiple of 25)</i>
Fairlightiii	20	8	6	20	50	75
ken	1	1	1	2	0	0
monokinetic	0	2	0	2	0	25
eptheca	0	2	0	2	25	0
=FFW⇒	6	4	0	14	0	0
Dangerz	2	3	3	6	25	25
Highcooley	0	4	2	8	0	50
crunchie	2	0	0	0	50	0
Imp	0	1	0	1	0	0
m00dawg	1	0	0	0	25	0
StormB	1	0	0	0	25	0
norbim1	0	2	0	2	0	25
Shuriken	2	2	0	4	25	25
Protosx	4	0	0	0	0	75
bugfight	4	4	0	4	100	0
smidirin	2	0	0	0	0	0
DubplateDerek	0	4	0	4	0	50
Tr1ptron1c	1	2	2	4	0	25
jobi	1	1	1	1	0	25
Total :	47	40	15	74	325	400

Jérôme aka **Fairlightiii**.

—-I tried to be clear but if I made a mistake or if I forgot something, don't hesitate to say it in the [forum](#).—-

Last update: 2014/04/02 17:49 mb-lre8x2cs_bulk_order_2014 https://www.midibox.org/dokuwiki/doku.php?id=mb-lre8x2cs_bulk_order_2014&rev=1396460961

From: <https://www.midibox.org/dokuwiki/> - **MIDIbox**

Permanent link: https://www.midibox.org/dokuwiki/doku.php?id=mb-lre8x2cs_bulk_order_2014&rev=1396460961

Last update: **2014/04/02 17:49**

