

# The MBHP\_4066 Board

For MIDifying old analog Sound gear You'll need bilateral switches in some cases.

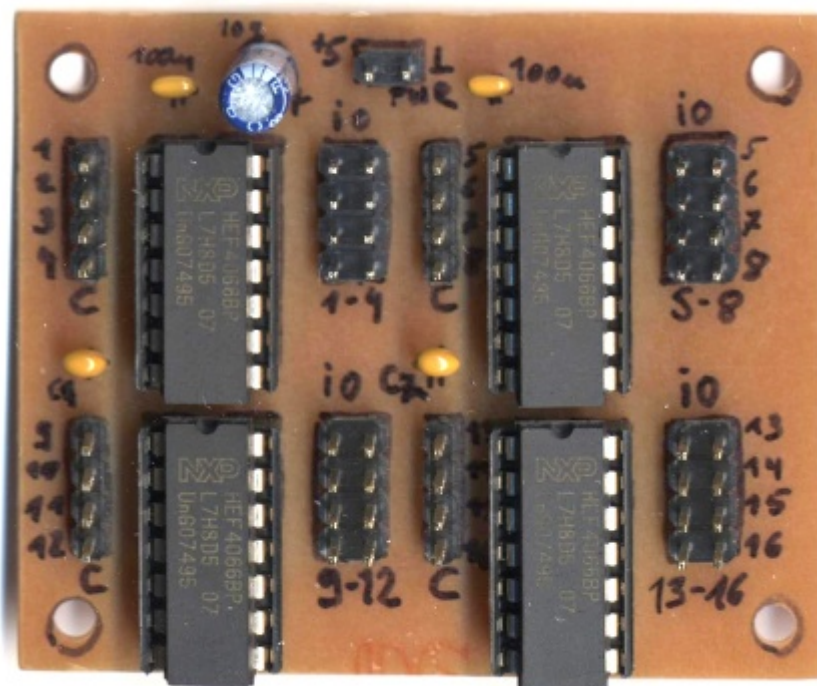
In my case I needed more than 100 of them!

For that reason I created the **MBHP\_4066** board.

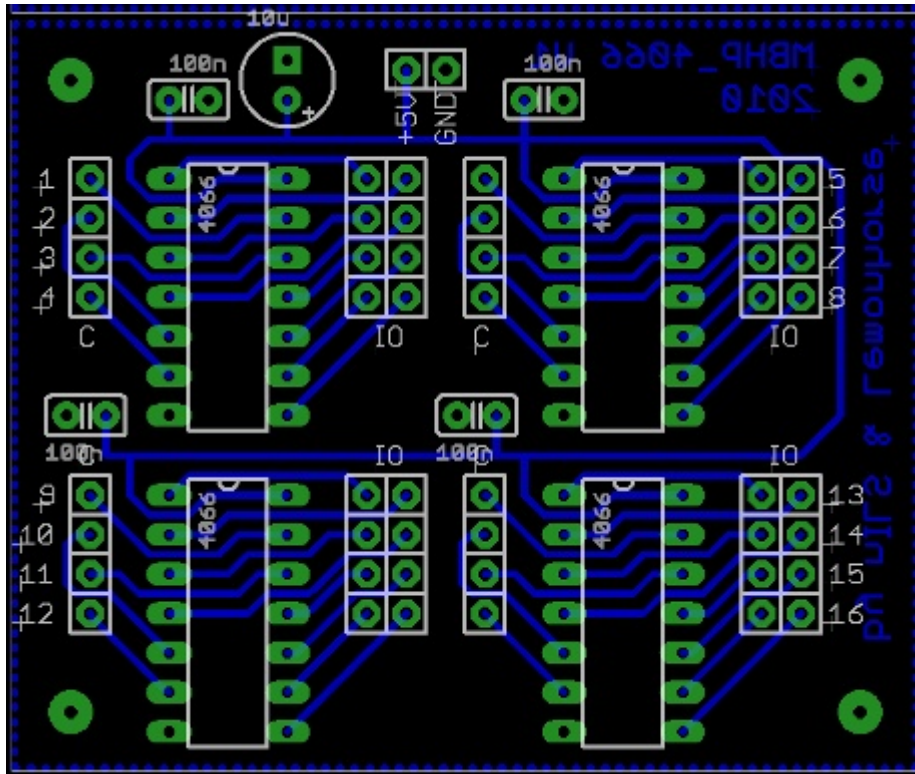
One MBHP\_4066 board provides 16 bilateral switches.

For more Information have a look of the pdf file below.

Thanks for the engaged support **nILS** and **PCB Mike**!



The MBHP\_4066 Board (assembled)



The MBHP\_4066 Board (PCB, Eagle)

### Overview and Details:

- **MBHP\_4066** with remarks and a Partlist ==> <http://www.subfrequenz.net/midibox/vss200/mbhp4066v1/MBHP4066V1.pdf>
- Mike will provide the MBHP\_4066 board in his Onlineshop ==> [http://www.mikes-elektronikseite.de/mshop\\_englisch/](http://www.mikes-elektronikseite.de/mshop_englisch/)
- 4066 Datasheet (found no better source yet) ==> <http://pdf1.alldatasheet.com/datasheet-pdf/view/8175/NSC/4066.html>

- Lemonhorse (28.05.2010)

From: <https://www.midibox.org/dokuwiki/> - **MIDIbox**

Permanent link: <https://www.midibox.org/dokuwiki/doku.php?id=mbhp4066&rev=1275080567>

Last update: **2010/05/28 21:02**

