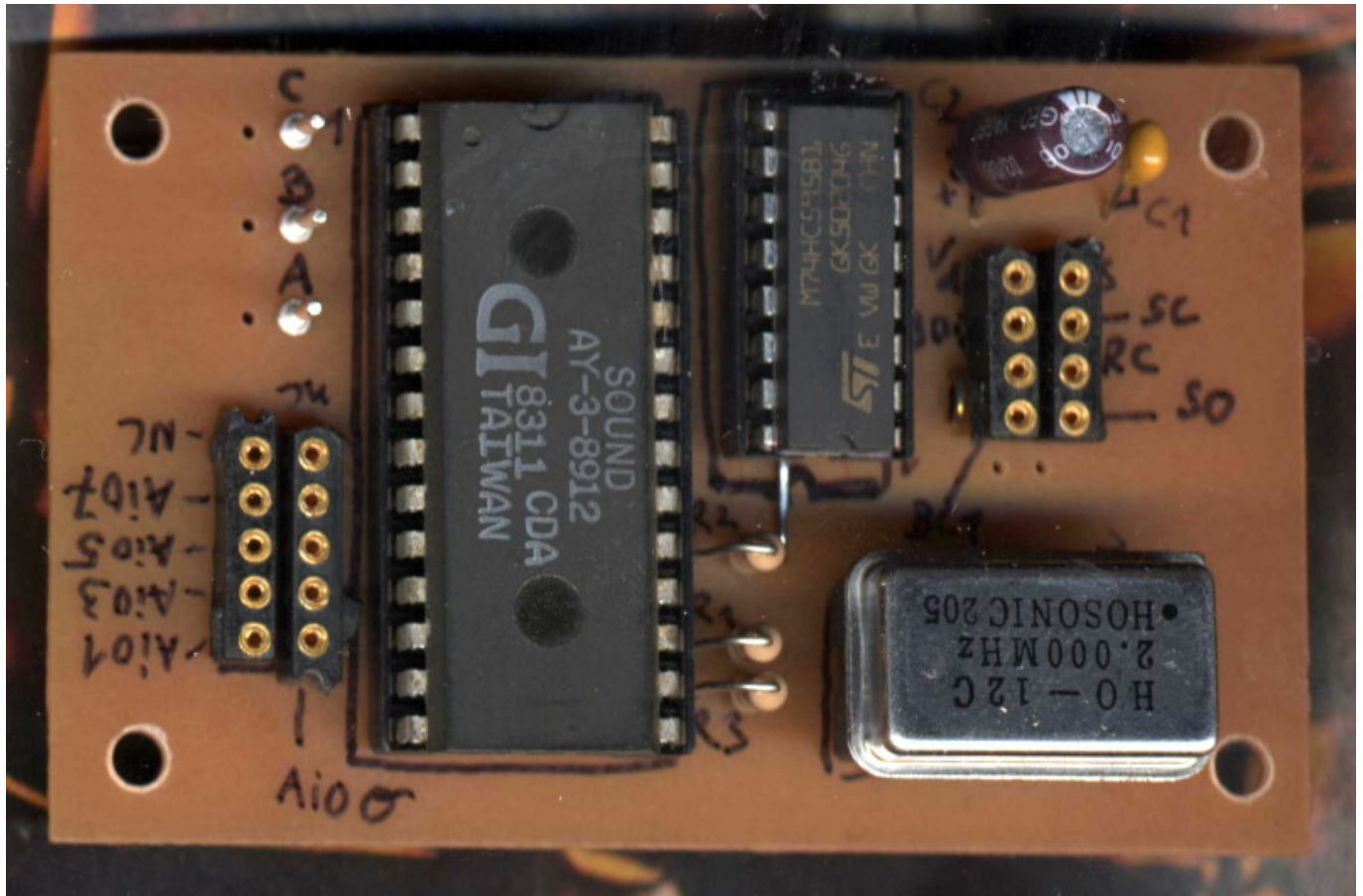


MB AY (YM) Boards

AY 3 8912 board



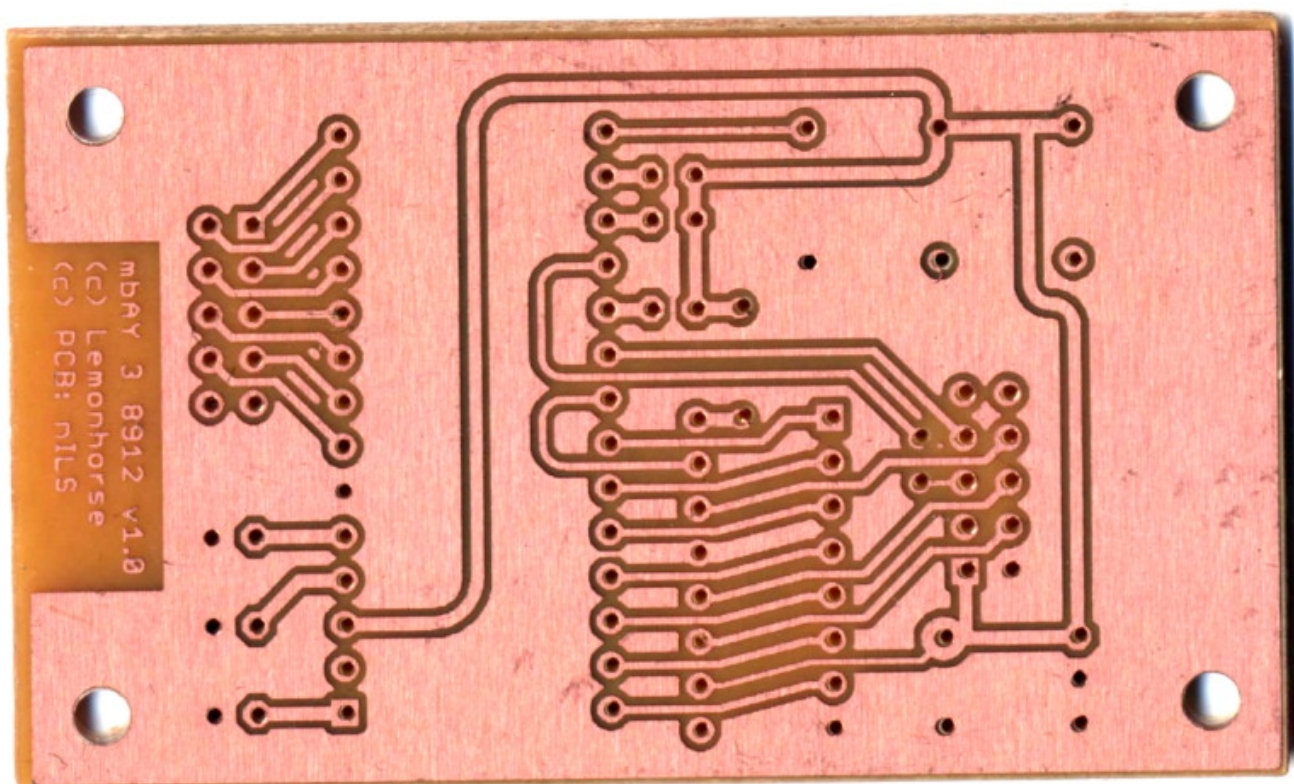
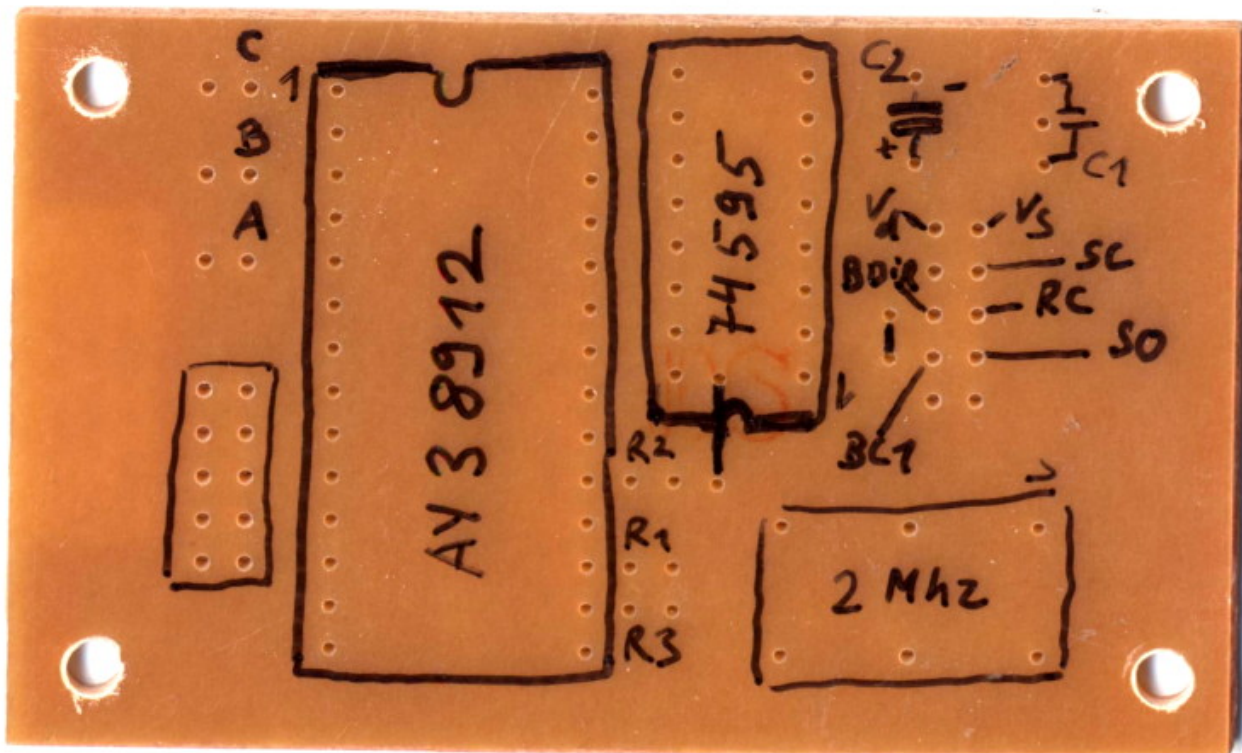
:



Note: SO = SERIAL IN (SI)

::

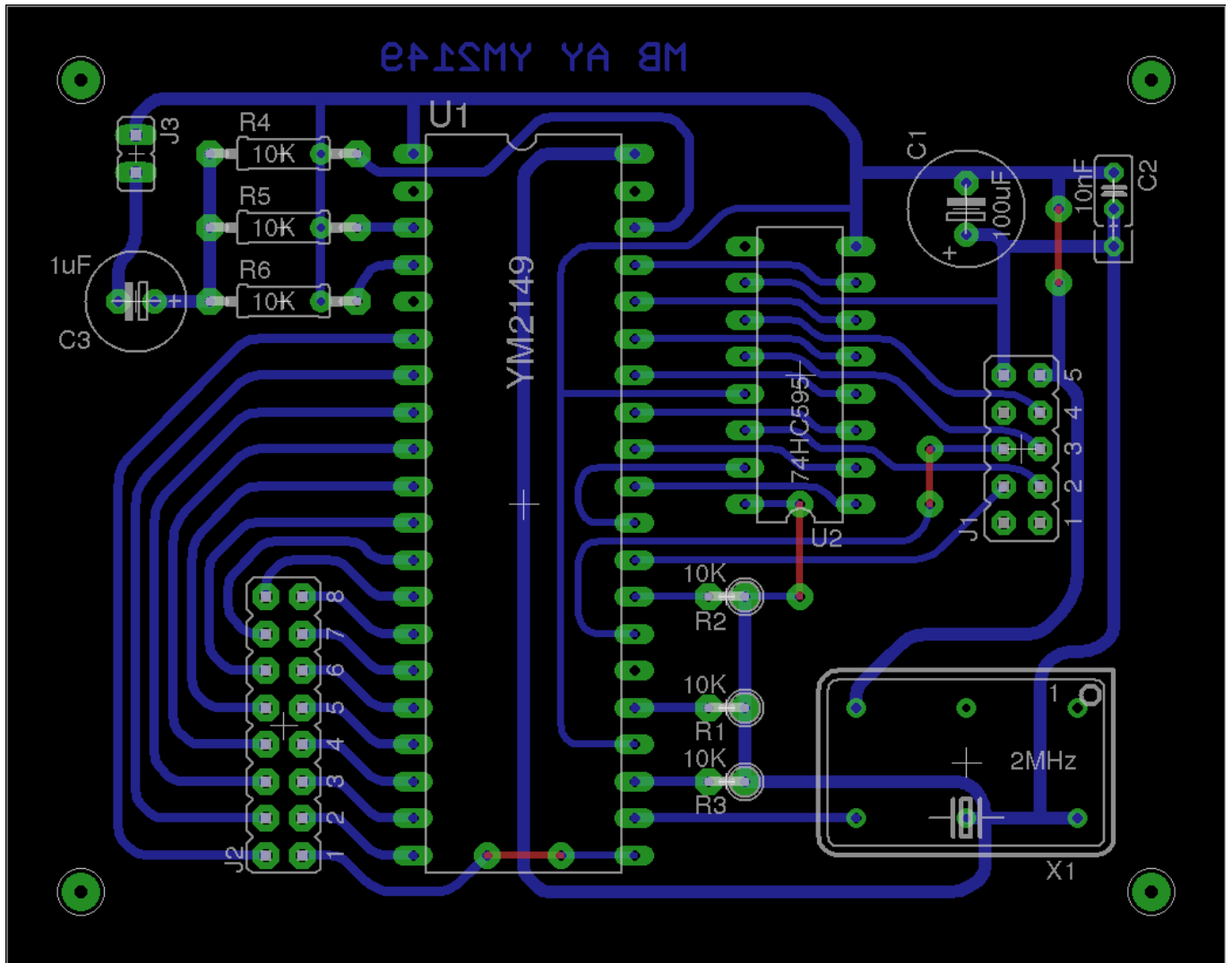
:



MB AY (YM) Interconnections: ⇒ <http://www.subfrequenz.net/midibox/mbayv2/mbayv2con.pdf>

::

YM2149 Board





PCB Layout (pdf)

[mbAY38912.pdf](#)

::

:

Parts List

[mbay38912pcbpartlistv1.txt](#)

::

:

PCB

The AY 3 8912 PCB and the AY 3 8912 OP-Mixer PCB are available at Mikes Onlineshop

http://www.mikes-elektronikseite.de/shop_englisch/index.htm

[26.09.2008]

From:

<https://www.midibox.org/dokuwiki/> - **MIDIbox**

Permanent link:

https://www.midibox.org/dokuwiki/doku.php?id=midibox_ay_3_8912_board&rev=1305306885

Last update: **2011/05/13 17:14**

