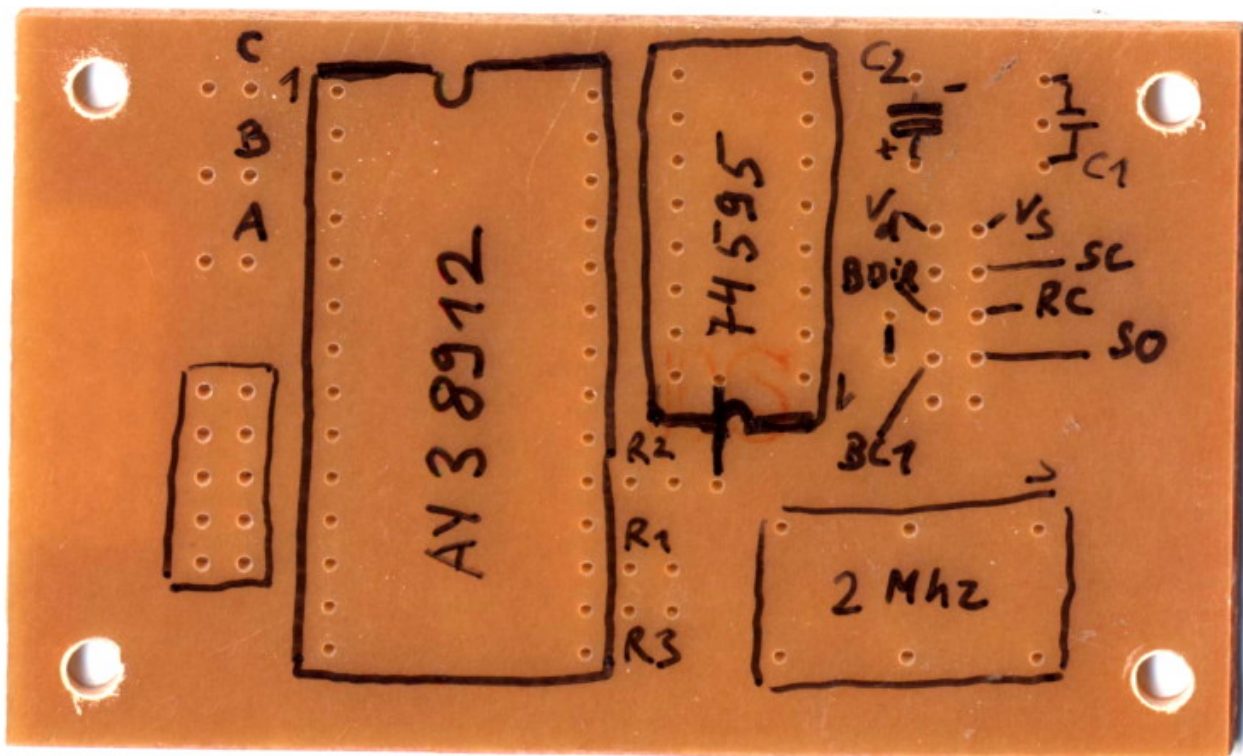
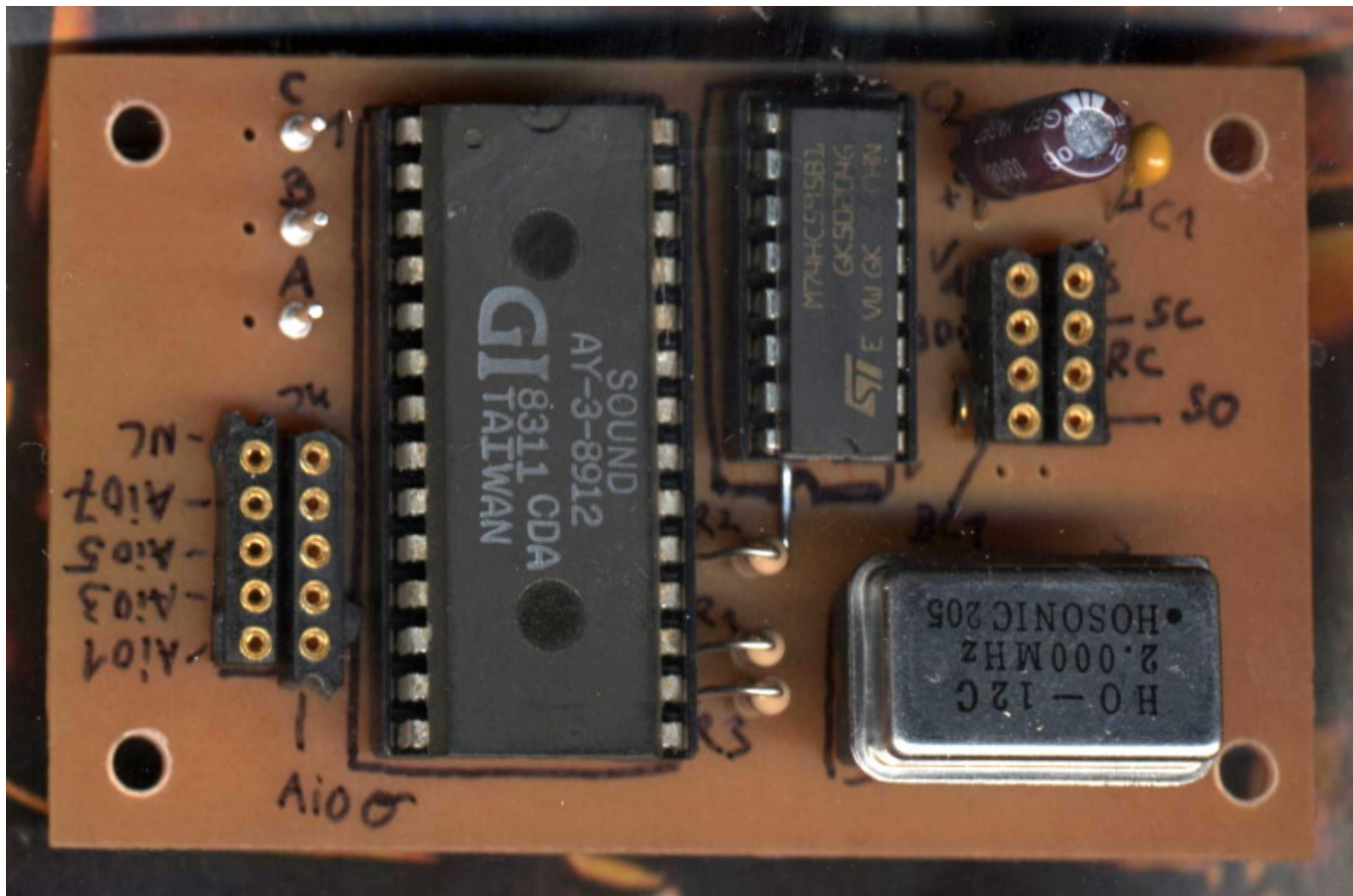


# MB AY (YM) Boards

## AY 3 8912 board



:





AY 3 8912 board PCB Layout (pdf)

[mbAY38912.pdf](#)

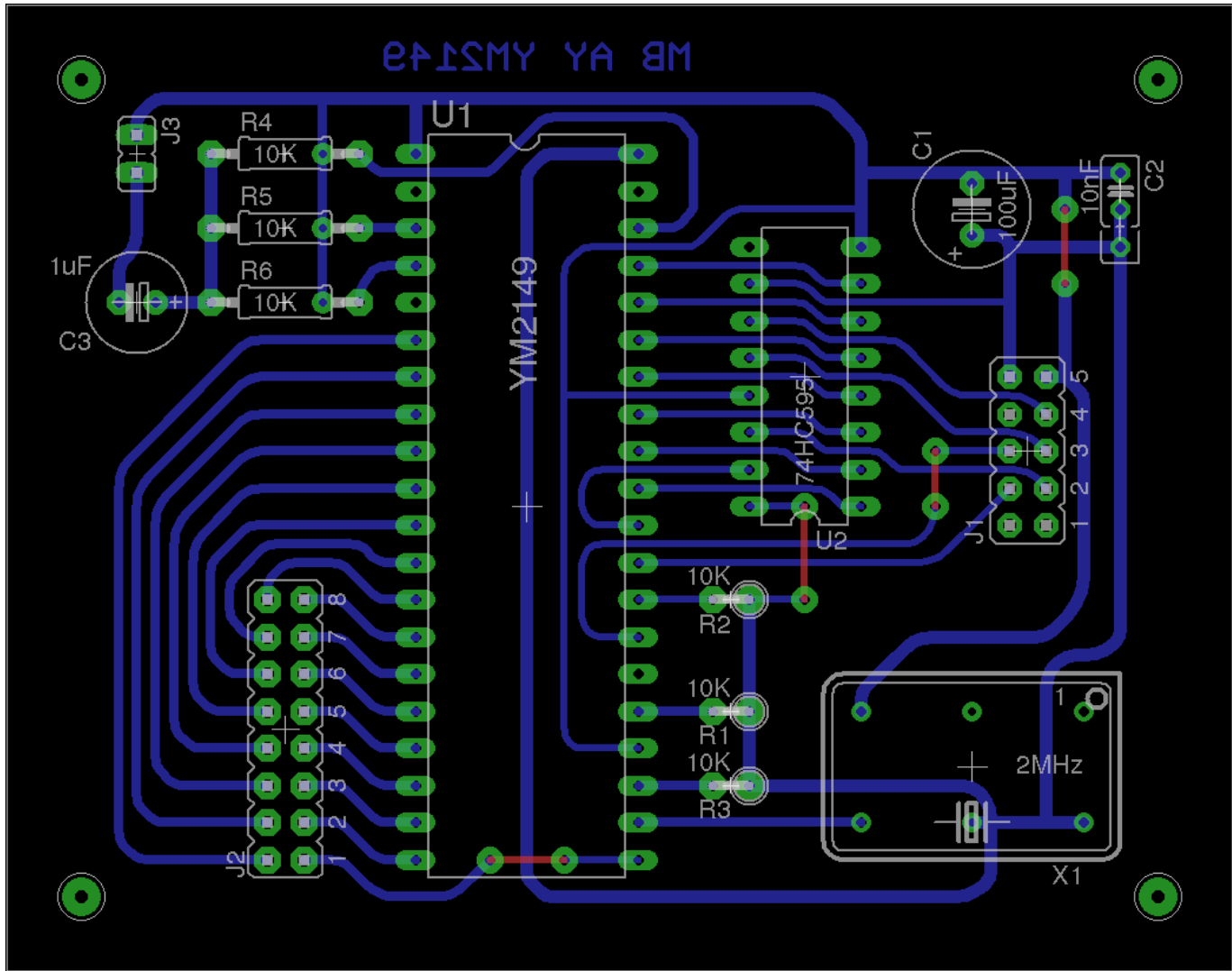
⋮

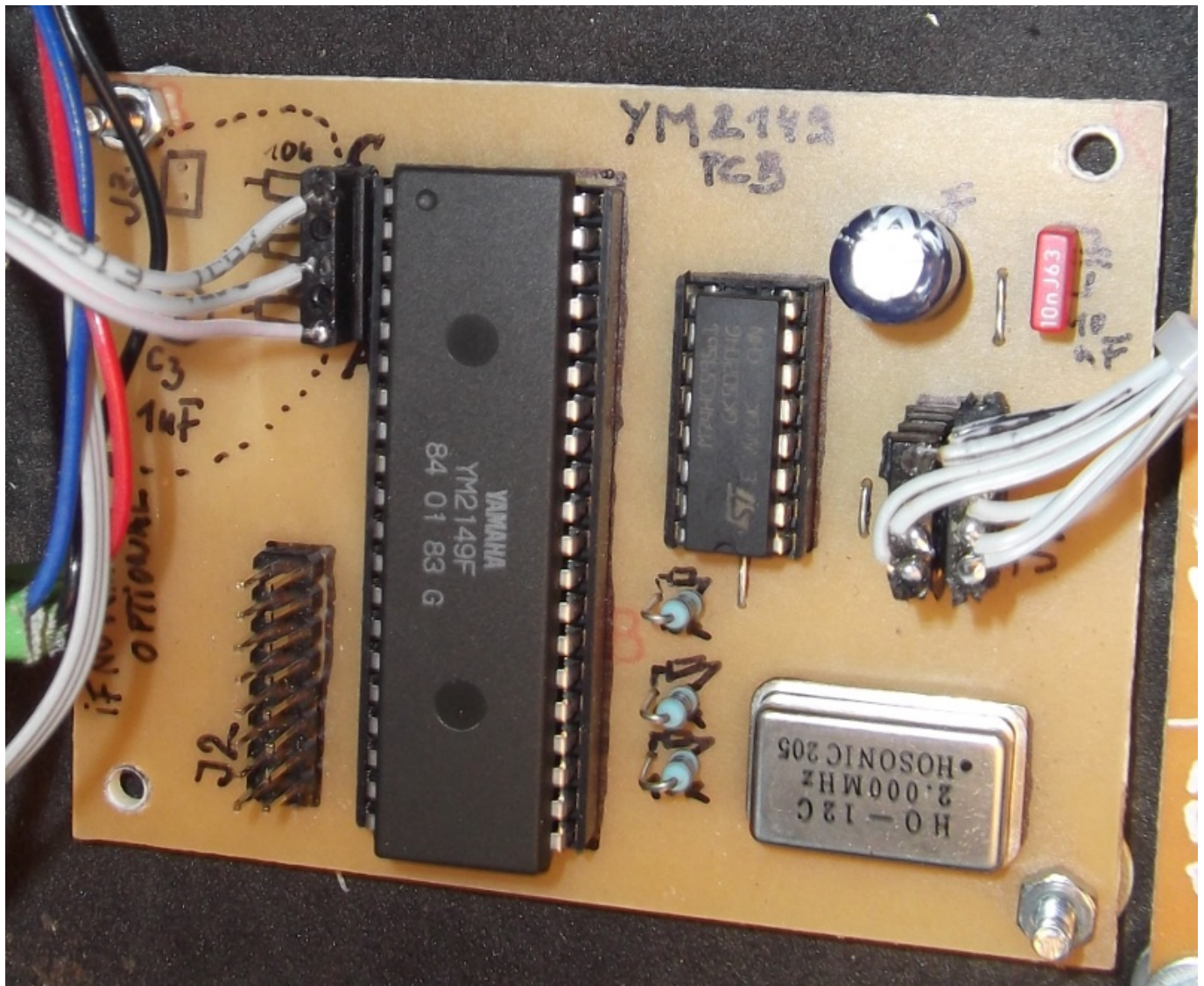
⋮

:

---

## YM2149 Board





[mbay38912pcbpartlistv1.txt](#)

::  
:

### PCB

The AY 3 8912 PCB and the AY 3 8912 OP-Mixer PCB are available at Mikes Onlineshop

[http://www.mikes-elektronikseite.de/shop\\_englisch/index.htm](http://www.mikes-elektronikseite.de/shop_englisch/index.htm)

[26.09.2008]

From:  
<https://www.midibox.org/dokuwiki/> - **MIDIbox**

Permanent link:  
[https://www.midibox.org/dokuwiki/doku.php?id=midibox\\_ay\\_3\\_8912\\_board&rev=1305307168](https://www.midibox.org/dokuwiki/doku.php?id=midibox_ay_3_8912_board&rev=1305307168)

Last update: **2011/05/13 17:19**



