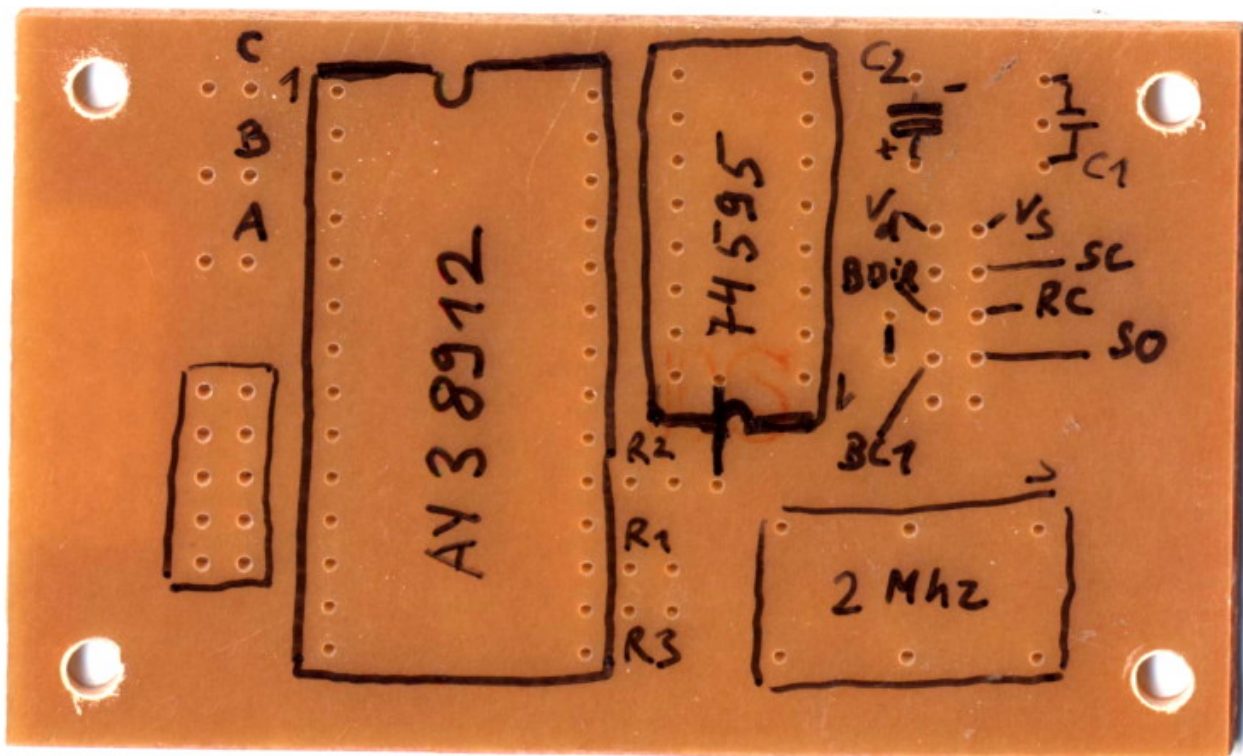
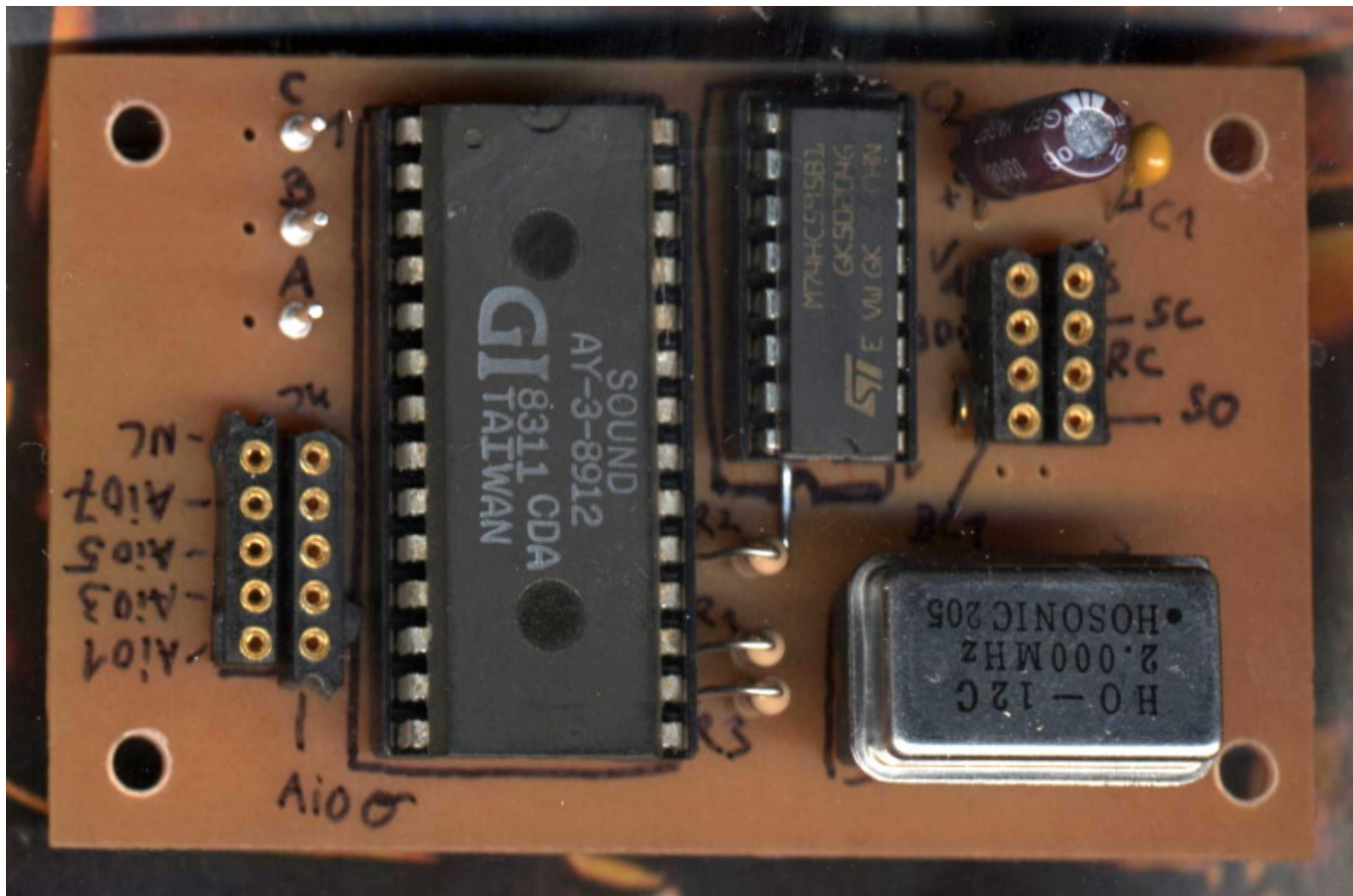


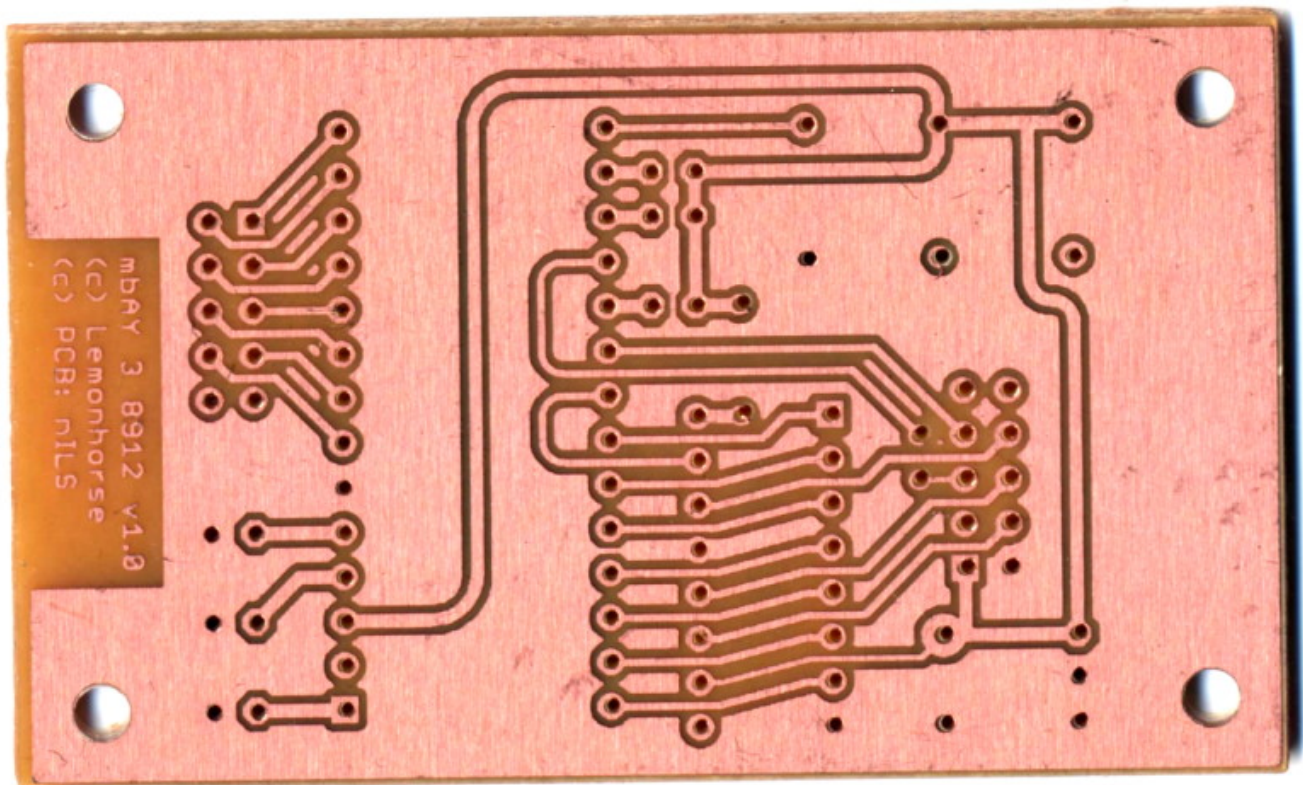
MB AY (YM) Boards

AY 3 8912 board



:





AY 3 8912 board PCB Layout (pdf)

[mbAY38912.pdf](#)

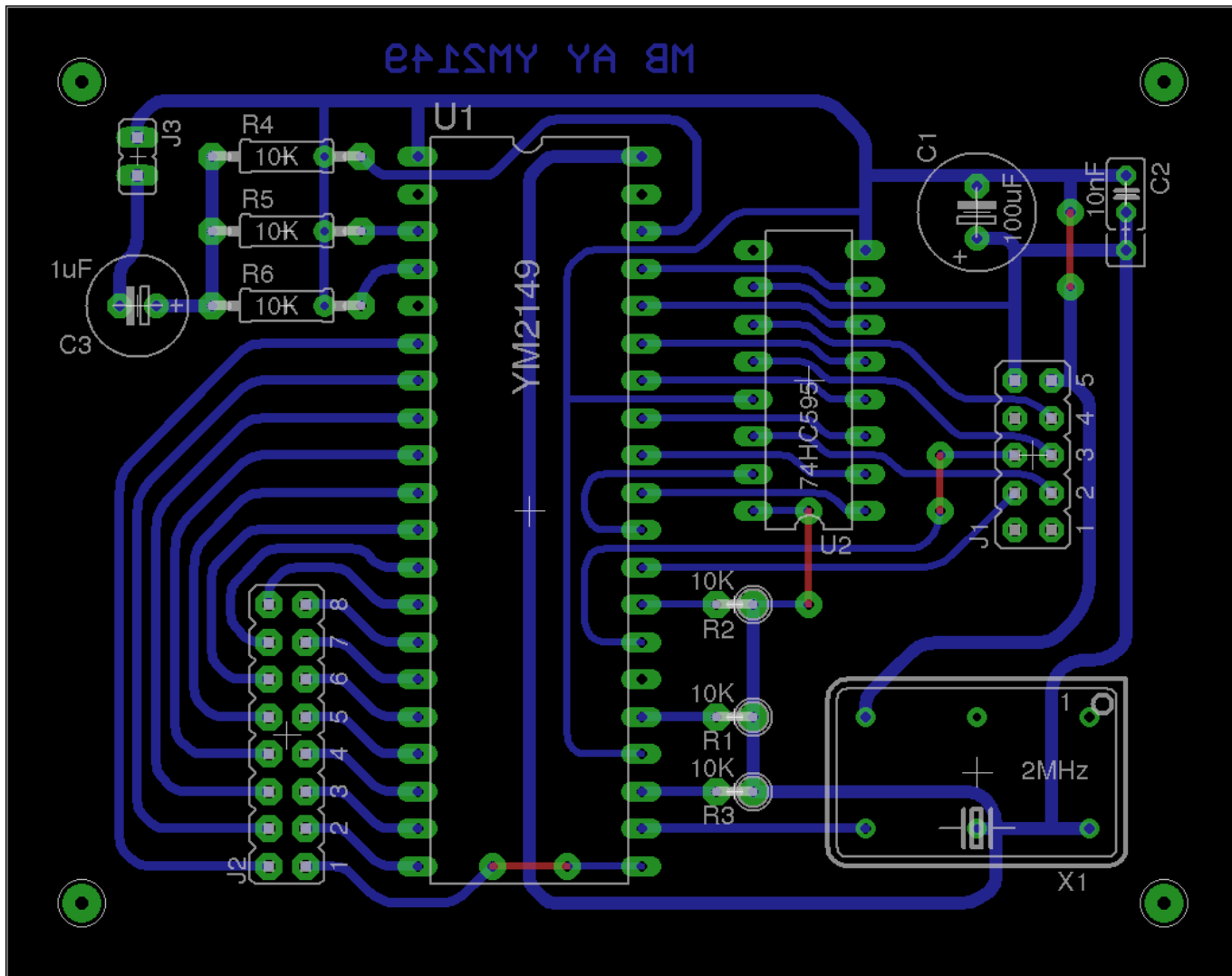
[mbay38912pcbpartlistv1.txt](#)

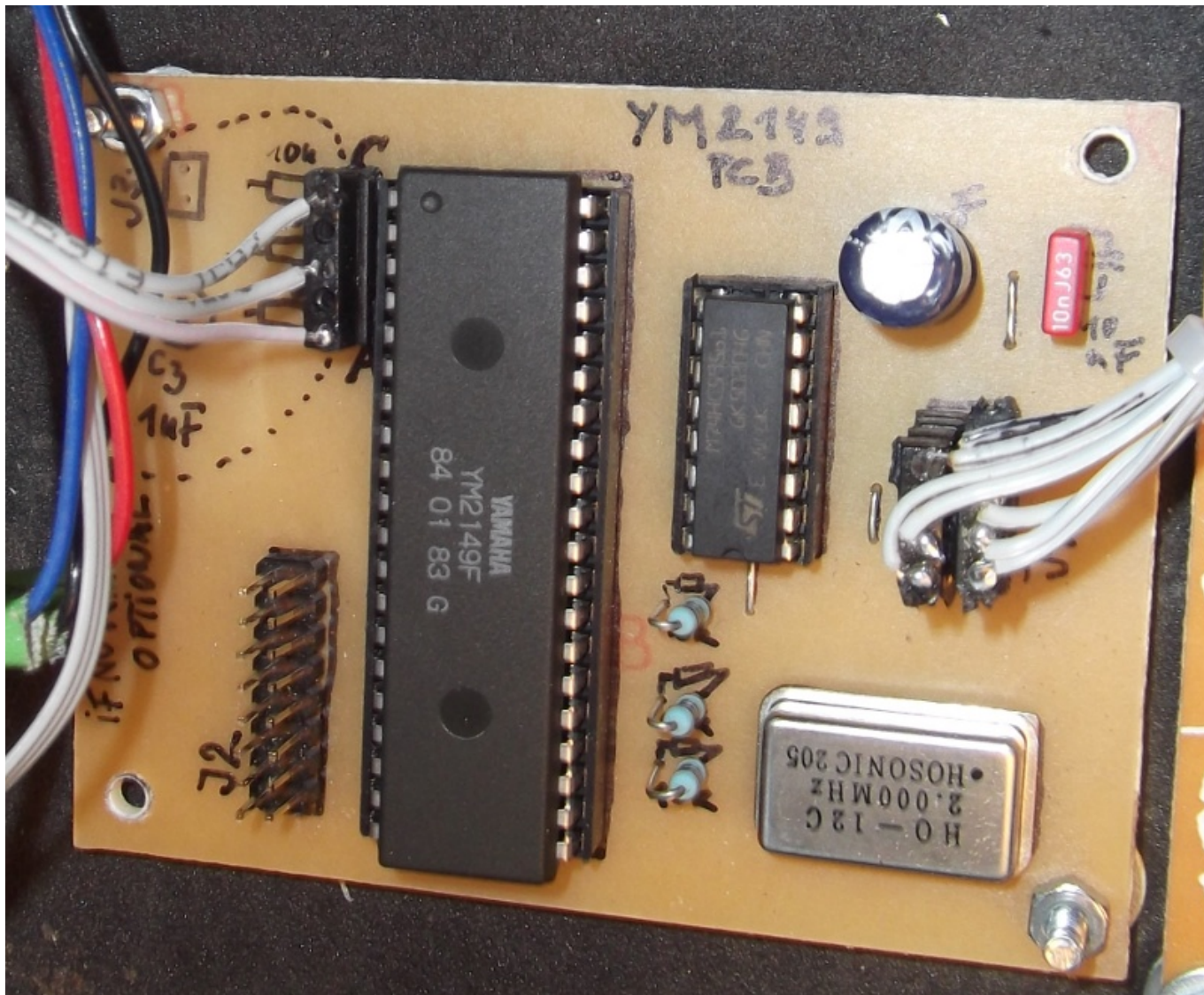
:::

::

:

YM2149 Board





[PartlistYM2149PCB.txt](#)

::
:

PCB

The AY 3 8912 PCB and the AY 3 8912 OP-Mixer PCB are available at Mikes Onlineshop

http://www.mikes-elektronikseite.de/shop_englisch/index.htm

[26.09.2008]

From: <https://www.midibox.org/dokuwiki/> - **MIDIbox**

Permanent link: https://www.midibox.org/dokuwiki/doku.php?id=midibox_ay_3_8912_board&rev=1305307712

Last update: **2011/05/13 17:28**



