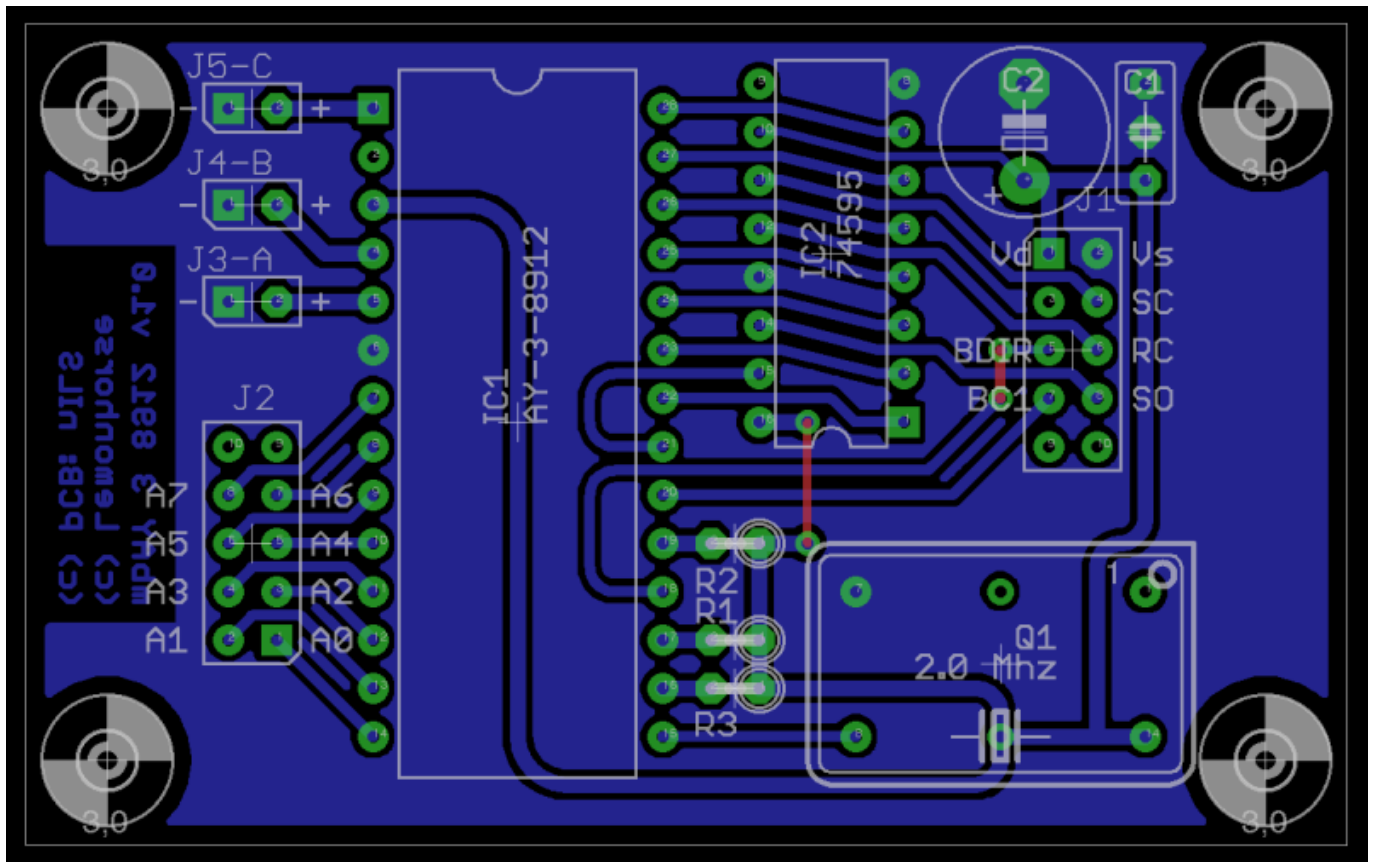
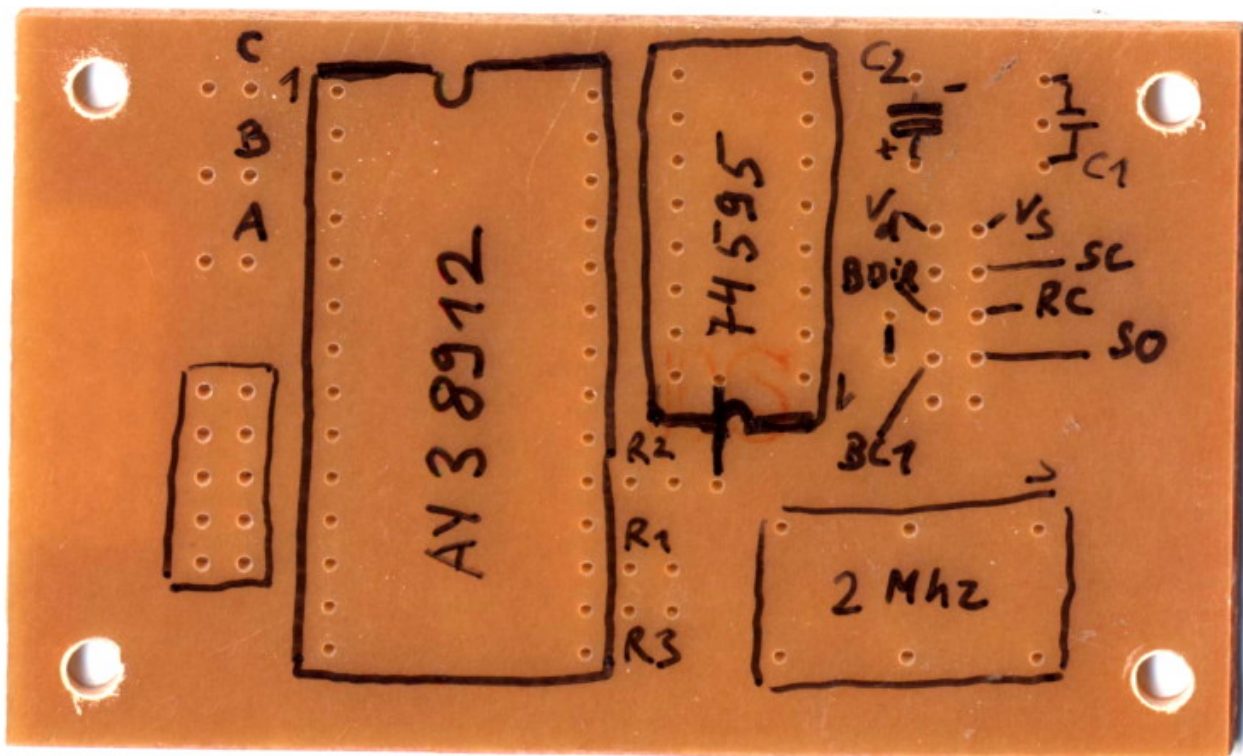
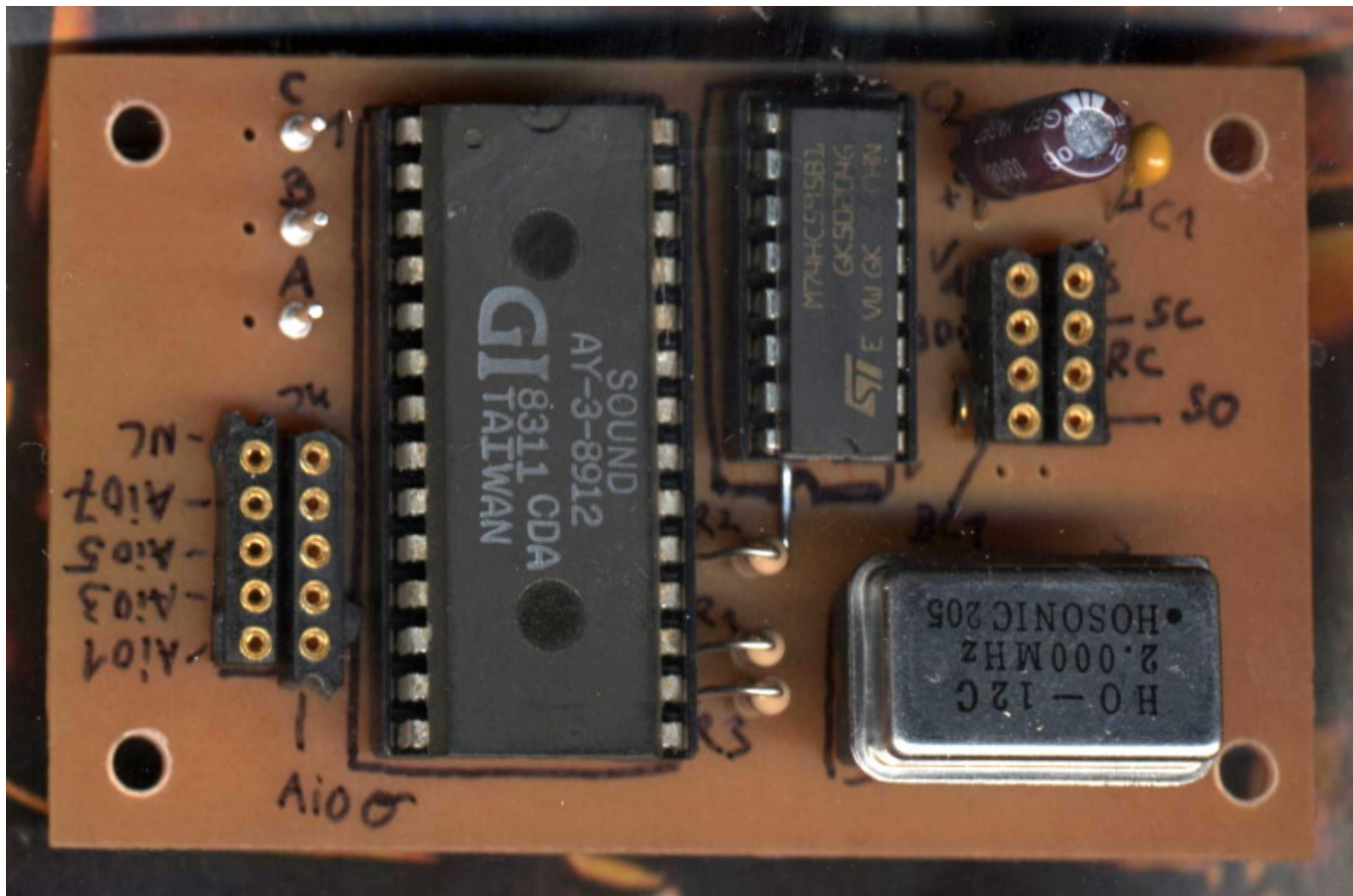


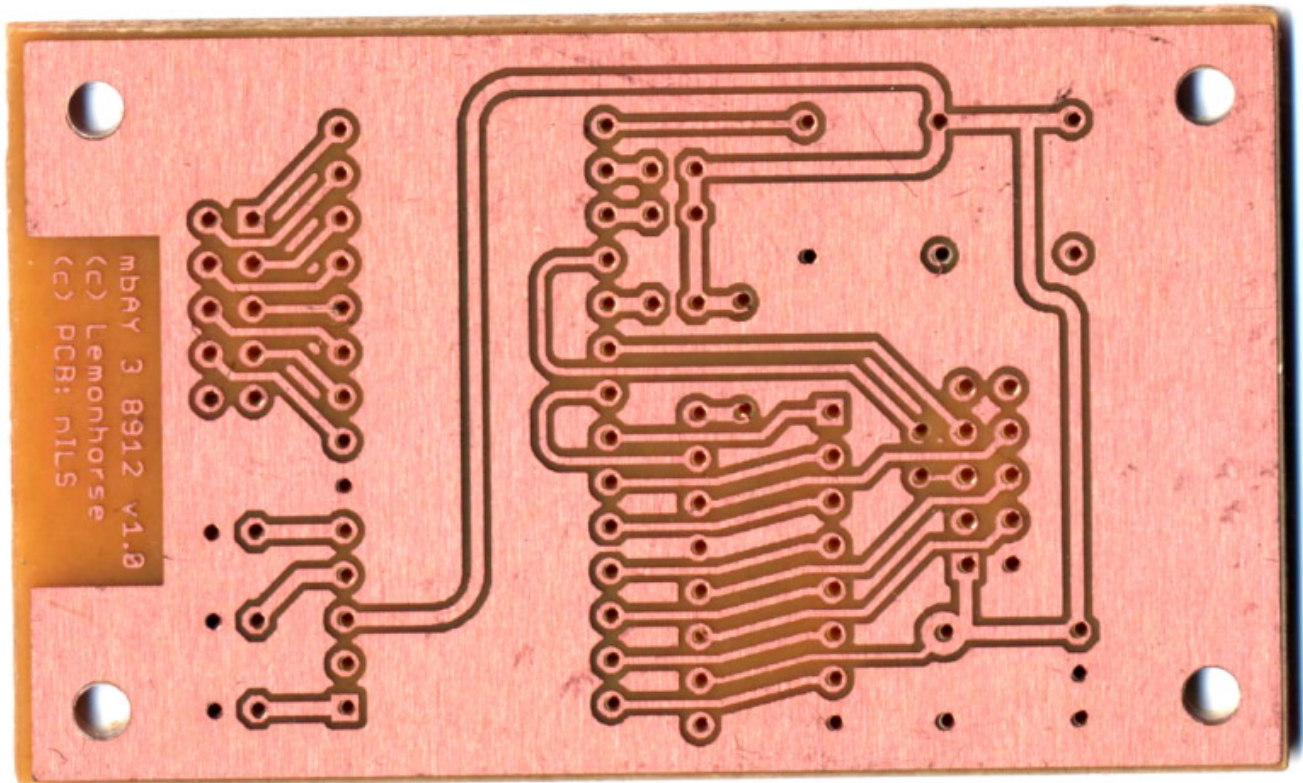
MB AY (YM) Boards

AY 3 8912 board



:





AY 3 8912 board PCB Layout (pdf)

[mbAY38912.pdf](#)

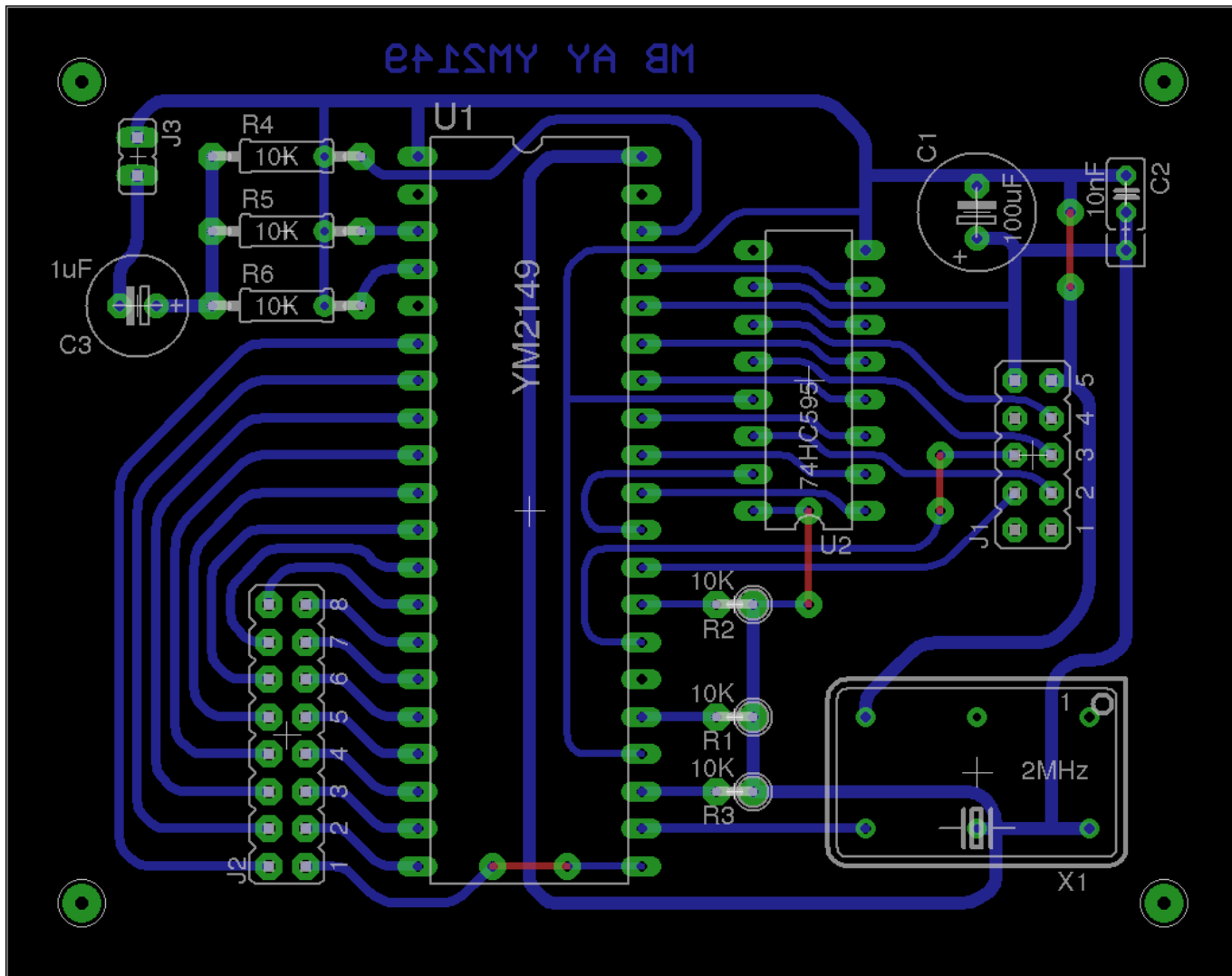
[mbay38912pcbpartlistv1.txt](#)

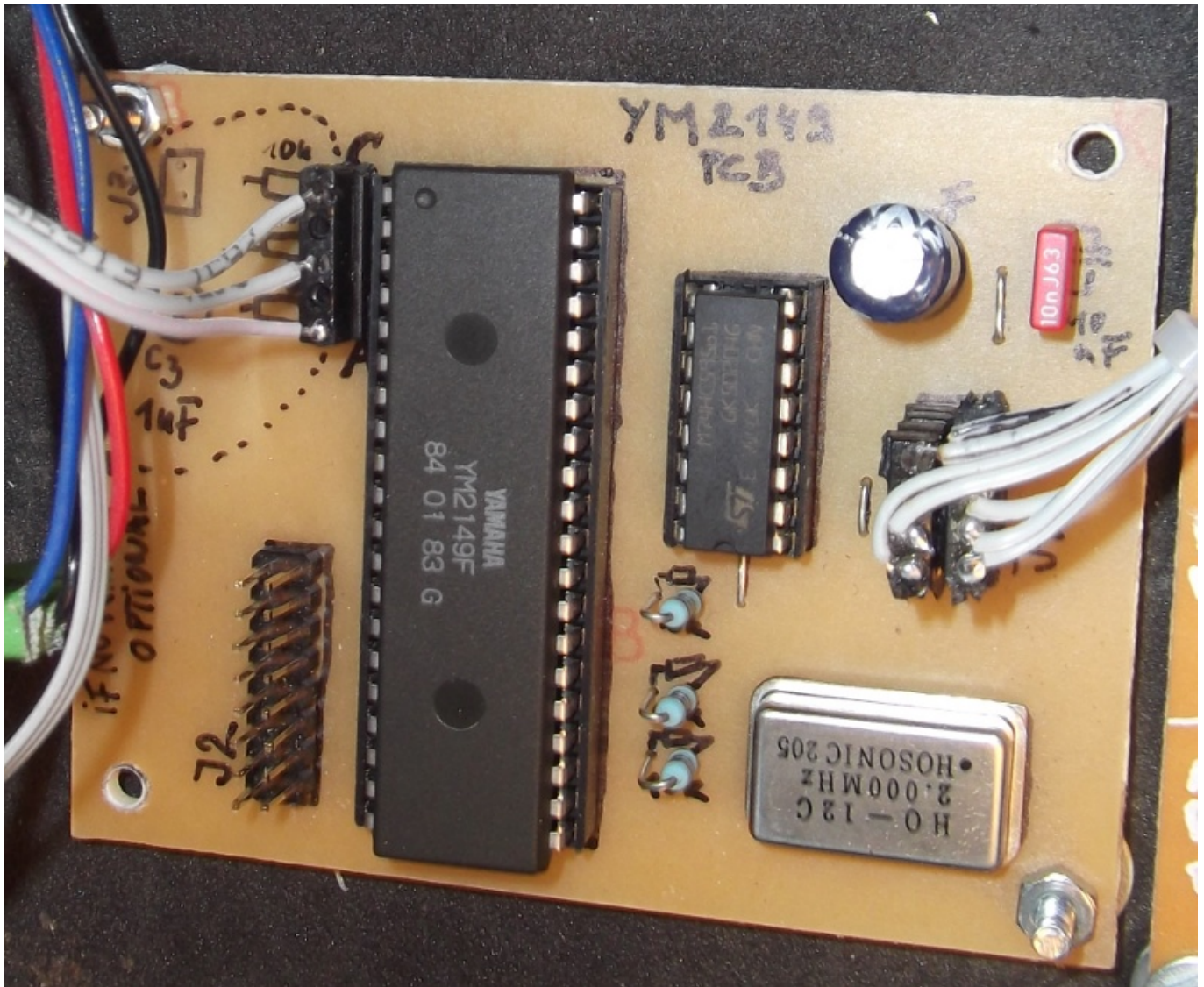
:::

::

:

YM2149 Board





[PartlistYM2149PCB.txt](#)

::

:

CORE8 <-> AY (YM) (pdf)

- AY 3 8912 & YM2149 PCB INTERCONNECTION (pdf) ==> [mbayv2con.pdf](#)

Obtain PCB's

The AY 3 8912, YM 2149 and the Mixer PCB are available at Mikes Onlineshop

http://www.mikes-elektronikseite.de/shop_englisch/index.htm

[05/2011]

From:
<https://www.midibox.org/dokuwiki/> - **MIDIbox**

Permanent link:
https://www.midibox.org/dokuwiki/doku.php?id=midibox_ay_3_8912_board&rev=1305312519

Last update: **2011/05/13 18:48**

