

MIDIBox AY 3 8912 - C64 Keyboard

MIDIbox AY 3 8912 - The Commodore 64 Keyboard



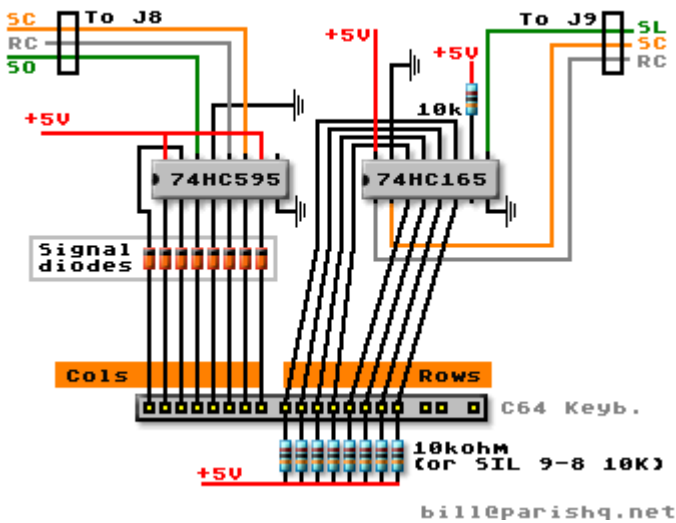
Commodore64 Keyboard MBHP Interconnection

The C64 Keyboard must be connected to **MBHP DOUT** (DOUT1: J3(Pin D0 to D7)) and **MBHP DIN** (DIN1: J3/J4(Pin D0 to D7))

See DOUTX4 ⇒ http://ucapps.de/mbhp/mbhp_doutx4.pdf

See DINX4 ⇒ http://ucapps.de/mbhp/mbhp_dinx4.pdf

C64 Keyboard connection to MBHP v2
<http://ucapps.de>



:::

From: <https://www.midibox.org/dokuwiki/> - MIDIbox

Permanent link: https://www.midibox.org/dokuwiki/doku.php?id=midibox_ay_keyboard&rev=1269866739

Last update: 2010/03/29 12:45

