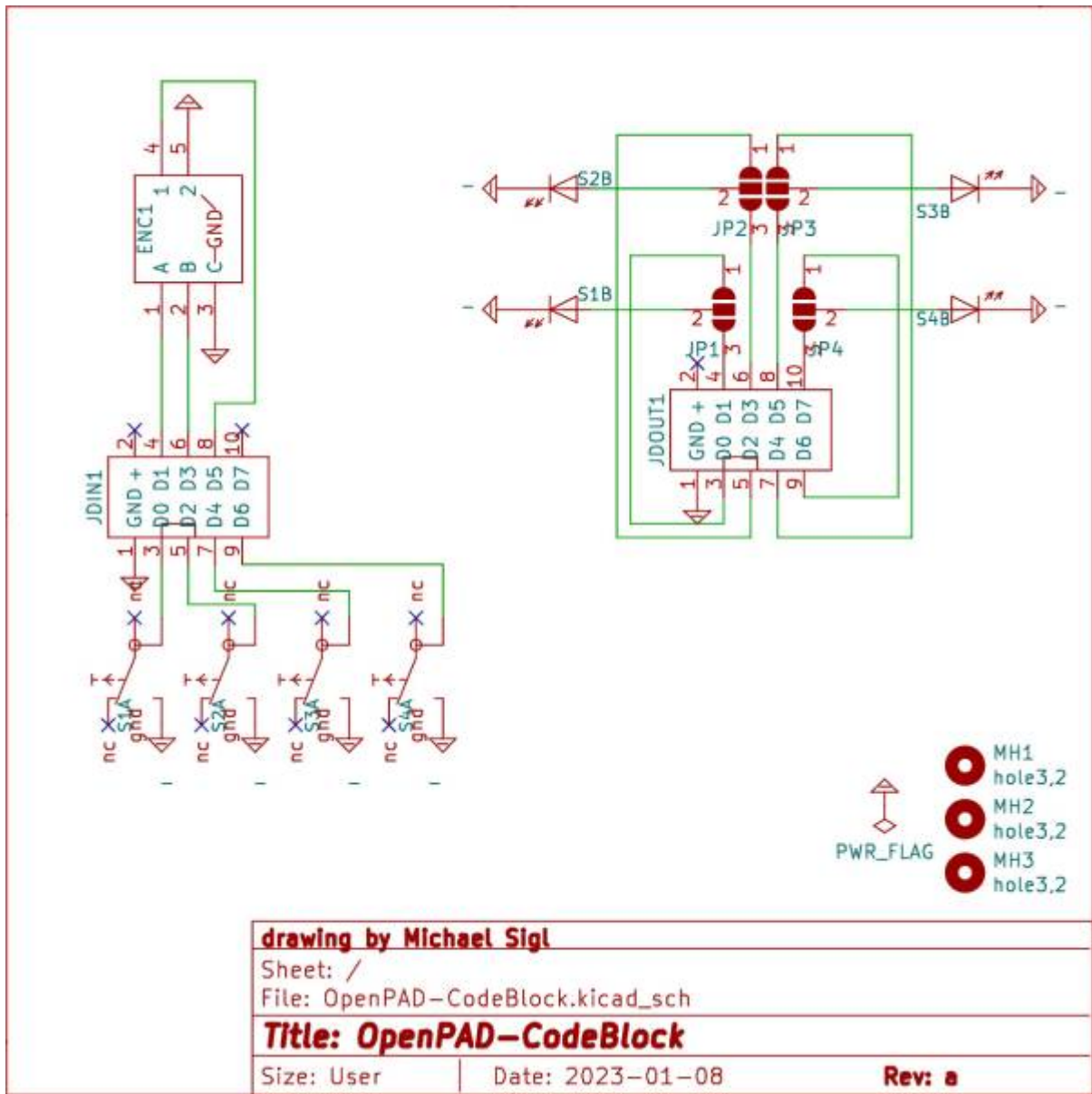


OpenPAD Codeblock



this is one essential part for my [OpenPAD](#)
it handles the Menu and the Buttons...

Schematic



Building and BOM

THT, and handsolder
 This PCB is needet 2x for [OpenPAD](#)

Order-List

copy following list into this [mouser.com-Link](#)

652-PEC11R-4015F-S24|1
 710-151031SS06000|4

Order from Reichelt:4x [Button](#)2x [PinHeader 2x5Pin Female](#)**Order from Midiphy:**1x Knob Set [DK16-190V3 knob](#)

To Do

waiting for the Prototype

Community users working on it

- **Phatline** = PCB & Schematic, UI-Programming, Documentation...

Just let a Private message on the forum to user already involved.

or join the forum: [OpenPAD](#)

From:

<https://www.midibox.org/dokuwiki/> - **MIDIbox**

Permanent link:

<https://www.midibox.org/dokuwiki/doku.php?id=openpad-codeblock&rev=1673224641>

Last update: **2023/01/09 00:37**

