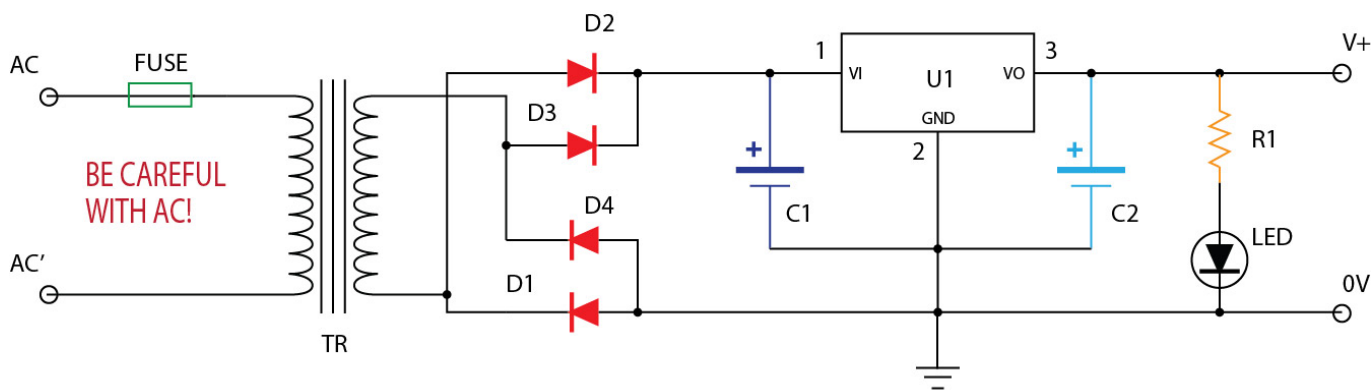


# Power Supplies

Find Here some schematics for DIY Power Supplies. It could help to power your midibox !

**!/\ Be Aware of high voltages! - Stay Safe ! /\**

## +5V DC / +9V DC / +12V DC



5V-9V-12V DC Regulated Power Supply - Current output : 1A

### 5V Parts List

| Value      | Type      | Qty | Designation |
|------------|-----------|-----|-------------|
| LM7805     | VR        | 1   | U1          |
| 1N4007     | Diode     | 4   | D1,D2,D3,D4 |
| 220        | Resistor  | 1   | R1          |
| 22µF/25V   | Capa Elec | 1   | C2          |
| 2200µF/40V | Capa Elec | 1   | C1          |
| S05K400    | Varistor  | 1   | VR          |
| 9VDC 15VA  | Transfo   | 1   | TR          |

### 9V Option

Replace:

- U1 by LM7809
- TR out> 12VDC
- R1 > 390ohms

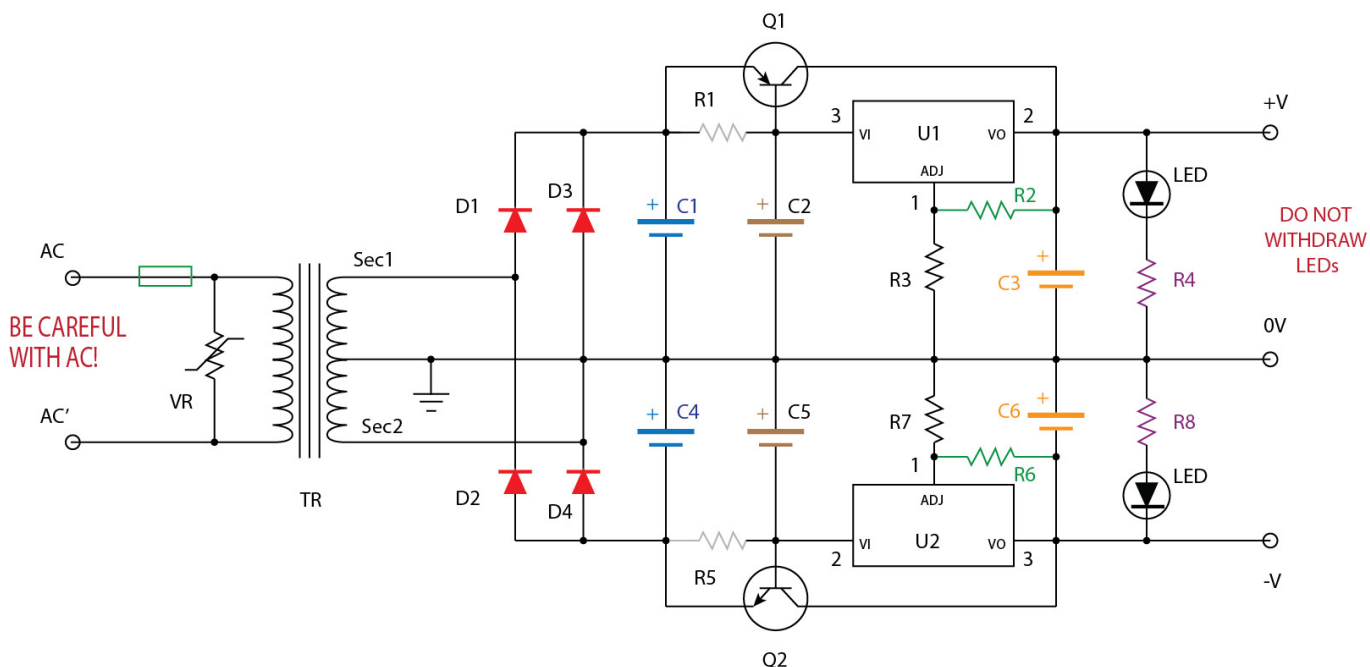
### 12V Option

Replace: U1 by LM7812 TR out> 12VDC R1 > 510ohms

# -12V/+12V DC

Bipolar 12V PSU

# -15V/+15V DC



+15/-15V Bipolar Regulated Power Supply - Current output : 4A

## Parts List

| Value          | Type      | Qty | Designation |
|----------------|-----------|-----|-------------|
| LM317T         | VR        | 1   | U1          |
| LM337T         | VR        | 1   | U2          |
| BDX54          | PNP       | 1   | Q1          |
| BDX53          | NPN       | 1   | Q2          |
| 10A04          | Diode     | 4   | D1,D2,D3,D4 |
| 10             | Resistor  | 2   | R1,R5       |
| 120            | Resistor  | 2   | R2,R6       |
| 820            | Resistor  | 2   | R4,R8       |
| 1320(1,1k+220) | Resistor  | 2   | R3,R7       |
| 1µF/25V        | Capa Elec | 2   | C2,C5       |
| 22µF/25V       | Capa Elec | 2   | C3,C6       |
| 10000µF/40V    | Capa Elec | 2   | C1,C4       |
| S05K400        | Varistor  | 1   | VR          |
| 15VDCx2 90VA   | Transfo   | 1   | TR          |

For Fine Voltage Tuning replace R3/R7 by a 2K Multi turns Trimpot.

From:

<https://www.midibox.org/dokuwiki/> - **MIDIbox**

Permanent link:

[https://www.midibox.org/dokuwiki/doku.php?id=power\\_supplies&rev=1465921060](https://www.midibox.org/dokuwiki/doku.php?id=power_supplies&rev=1465921060)

Last update: **2016/06/14 16:17**

