

Power Supplies

Find Here some schematics for DIY Power Supplies. It could help to power your midibox !

! Be Aware of high voltages! - Stay Safe !

+5V DC / +9V DC / +12V DC



5V-9V-12V DC Regulated Power Supply - Current output : 1A

5V Parts List

| Value | Type | Qty | Designation |
|------------|-----------|-----|-------------|
| LM7805 | VR | 1 | U1 |
| 1N4007 | Diode | 4 | D1,D2,D3,D4 |
| 220 | Resistor | 1 | R1 |
| 22µF/25V | Capa Elec | 1 | C2 |
| 2200µF/40V | Capa Elec | 1 | C1 |
| 9VDC 15VA | Transfo | 1 | TR |

9V Option

Replace:

- U1 > LM7809
- TR out> 12VDC
- R1 > 390ohms

12V Option

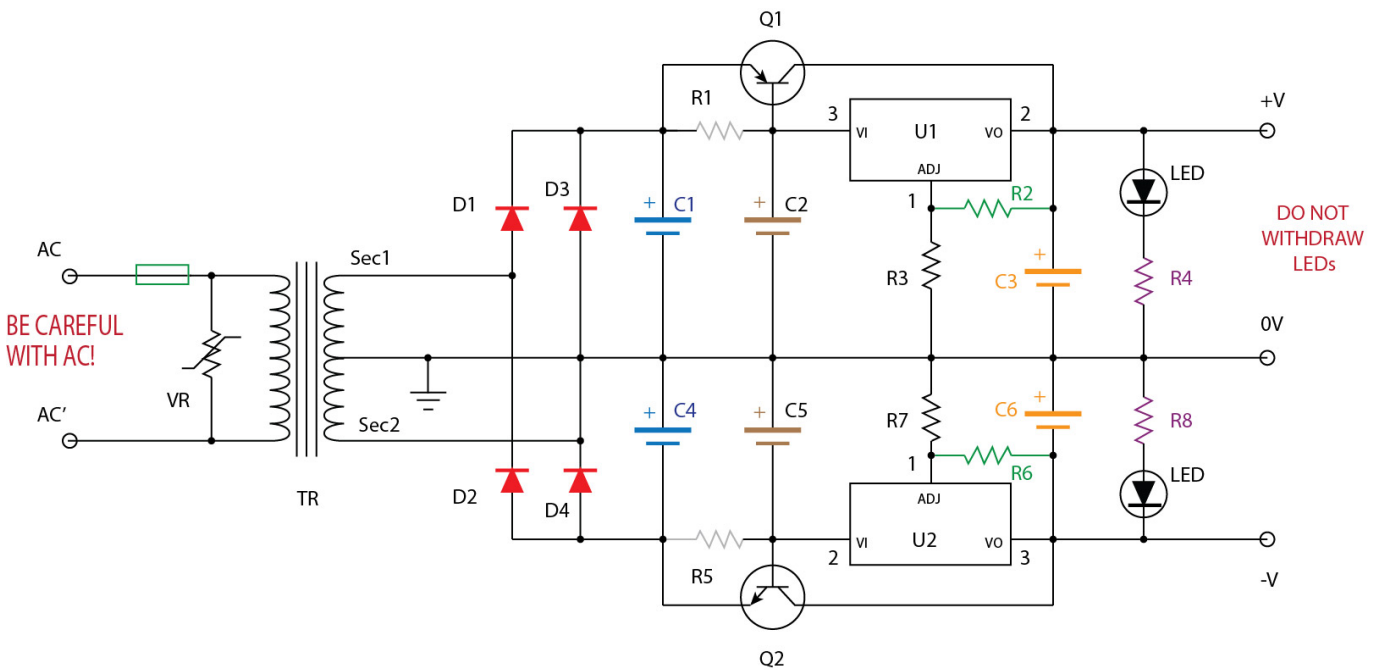
Replace:

- U1 > LM7812
- TR out > 12VDC
- R1 > 510ohms

-12V/+12V DC

A designed has been purposed [There](#)

-15V/+15V DC



+15/-15V Bipolar Regulated Power Supply - Current output : 4A

Parts List

| Value | Type | Qty | Designation |
|----------------|-----------|-----|-------------|
| LM317T | VR | 1 | U1 |
| LM337T | VR | 1 | U2 |
| BDX54 | PNP | 1 | Q1 |
| BDX53 | NPN | 1 | Q2 |
| 10A04 | Diode | 4 | D1,D2,D3,D4 |
| 10 | Resistor | 2 | R1,R5 |
| 120 | Resistor | 2 | R2,R6 |
| 820 | Resistor | 2 | R4,R8 |
| 1320(1,1k+220) | Resistor | 2 | R3,R7 |
| 1µF/25V | Capa Elec | 2 | C2,C5 |
| 22µF/25V | Capa Elec | 2 | C3,C6 |
| 10000µF/40V | Capa Elec | 2 | C1,C4 |

| Value | Type | Qty | Designation |
|--------------|----------|-----|-------------|
| S05K400 | Varistor | 1 | VR |
| 15VDCx2 90VA | Transfo | 1 | TR |

For Fine Voltage Tuning replace R3/R7 by a 2K Multi turns Trimpot.

From:

<https://www.midibox.org/dokuwiki/> - **MIDIbox**

Permanent link:

https://www.midibox.org/dokuwiki/doku.php?id=power_supplies&rev=1465976995

Last update: **2016/06/15 07:49**

