

# TM5-DinDoutGates





this is one essential part for my [triggermatrix5](#)  
it gives 24 Digital Inputs, and 32 Digital Outputs, while 16 Outputs are used for UI, the other 16 are buffered, and are for use as 16 GATe/Triggger output at 5V Level  
i created this board. its fully SMD, and made it pick and place ready - so no soldering required!

## Schematic

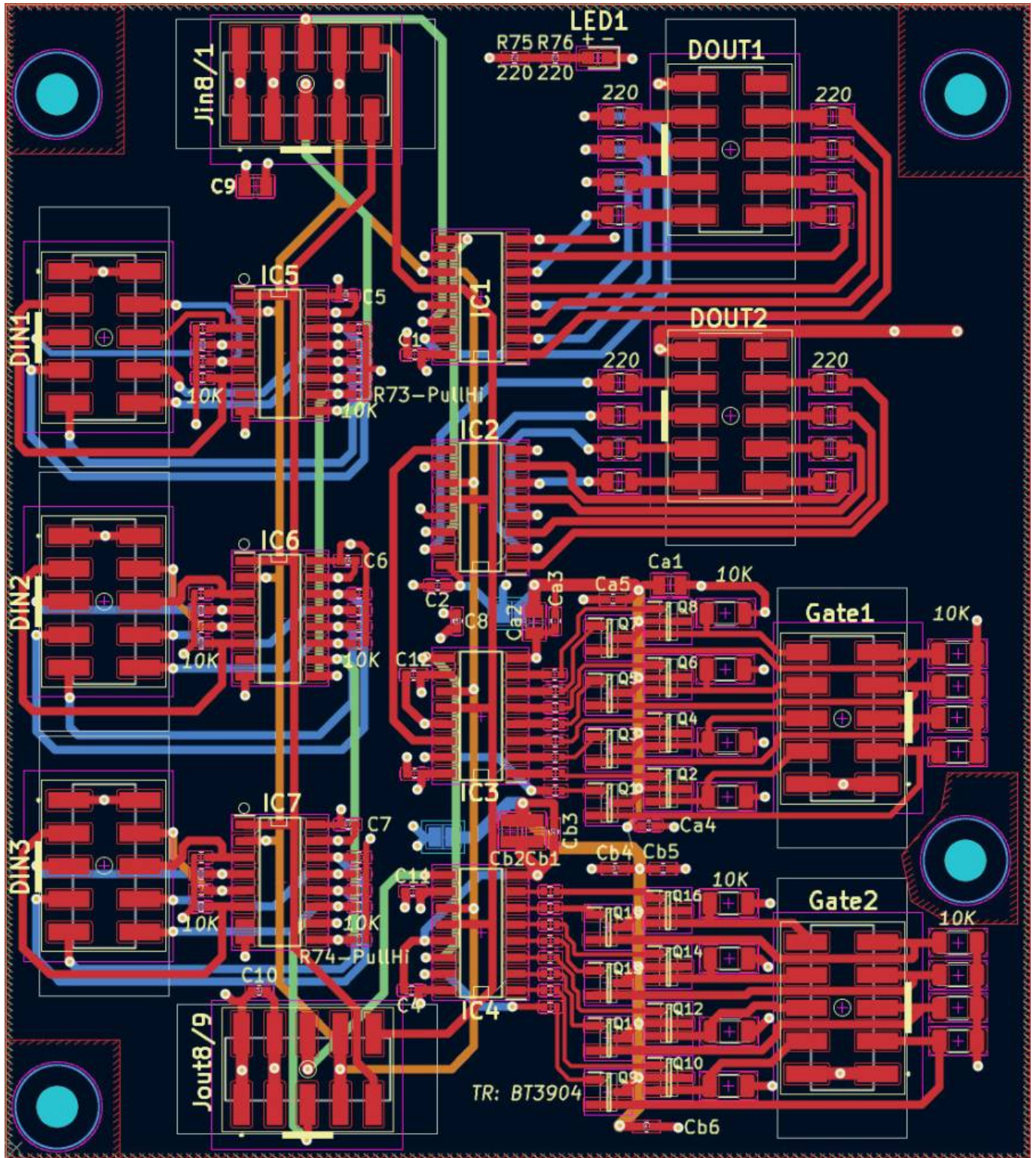


# Building and BOM

Its build by pick and place robots... so no need to build

## BOM

qty	reference	value	footprint	jlc
18	C1 - C12, Ca3, Ca4, Ca5, Cb3, Cb4, Cb5, Cb6	100n	C_0402	C307331
5	C9, Ca1, Ca2, Cb1, Cb2	10uF	C0805	C440198
5	DIN1, DIN2, DIN3, Gate1, Gate2, Gates	Pin-Head-10-SMD C124391		
4	DOUT1, DOUT2, Jin8/1, Jout8/9 DIN/DOUT	Pin-Head-10-SMD C124391		
4	IC1, IC2, IC3, IC4	74HC595-bigger	HC595-smd	C5947
3	IC5, IC6, IC7	74HC165-bigger	HC165-smd	C5613
1	LED1	LED LED-0603	C2286	
16	Q1 - Q16	MMBT3904-7-F MMBT3904-7-F	C20526	
16	R1 - R16	220 R_0805	C25294	
42	R17 - R74	10K R_0402	C25744	
16	R33 - R48	10K R_1206	C17902	
2	R75, R76	220 R_0402	C25091	



## To Do

waiting for the assembled Prototype

# Community users working on it

- **Phatline** = PCB & Schematic, UI-Programming, Documentation...

Just let a Private message on the forum to user already involved.  
or join the forum: [Triggermatrix 5](#)

From:  
<https://www.midibox.org/dokuwiki/> - **MIDIbox**

Permanent link:  
<https://www.midibox.org/dokuwiki/doku.php?id=tm5-dindoutgate&rev=1672064363>

Last update: **2022/12/26 14:19**

