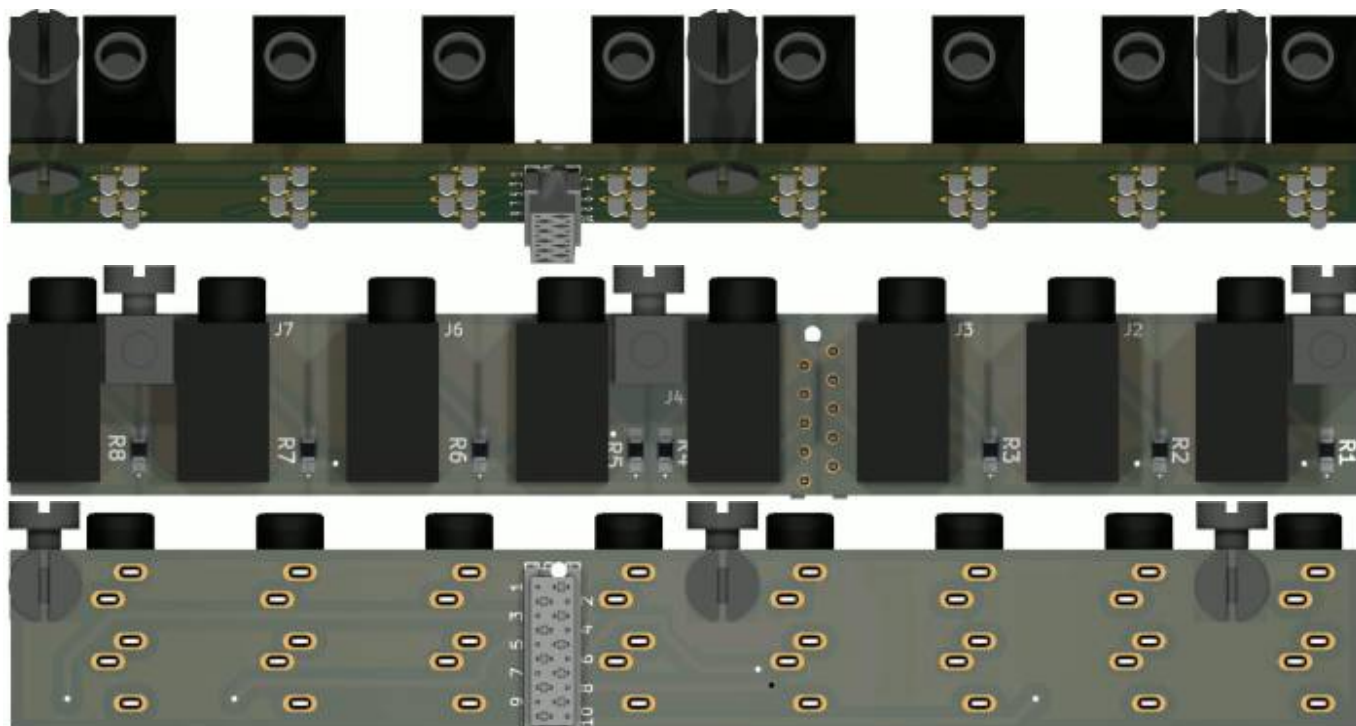
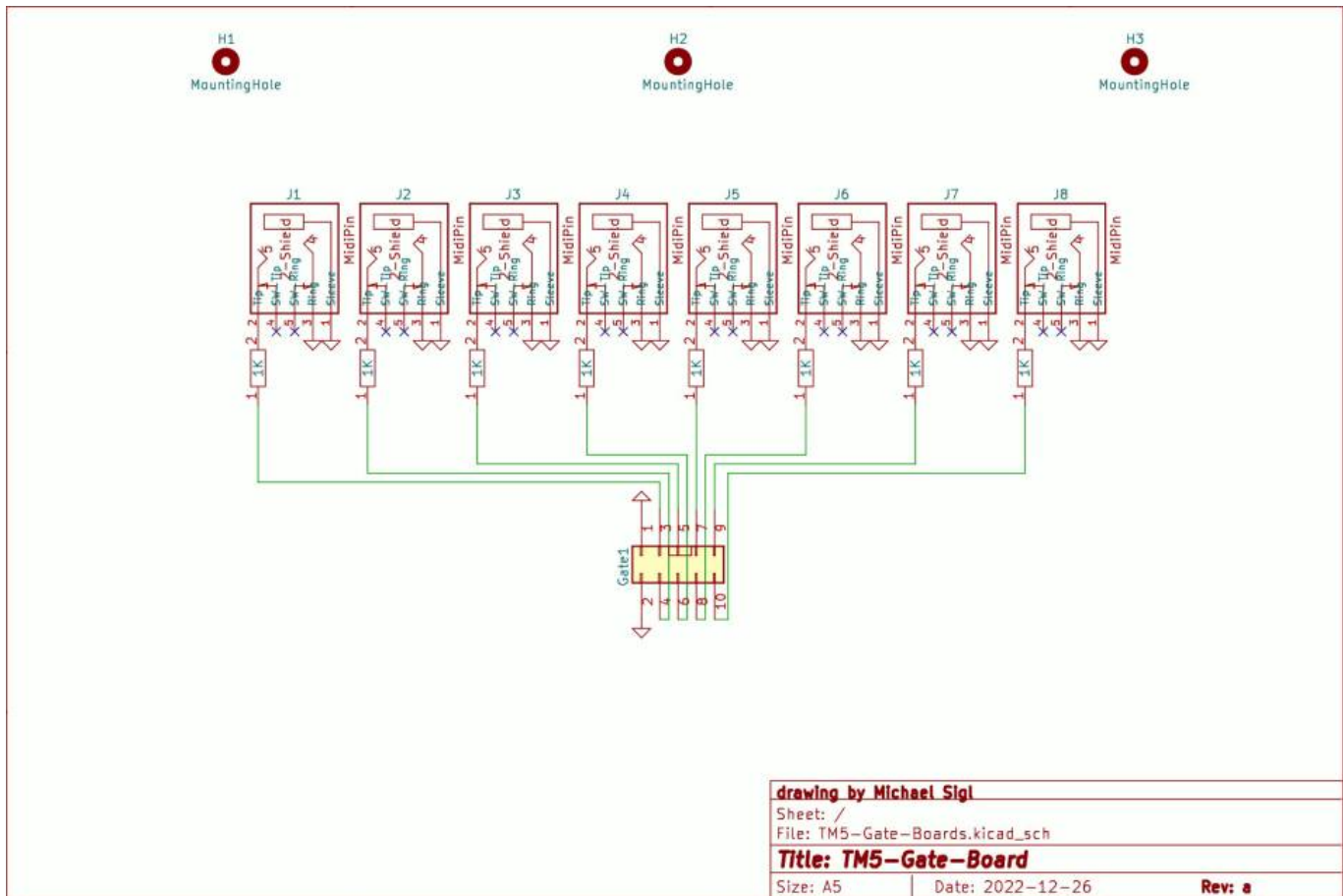


# Core4Disc Midi-Expansion



This are the Gate In/Out boards, 4 off them are needet to get 16x Gate-input/Trigger, and 16x Gate-Output [triggermatrix5](#)

## Schematic



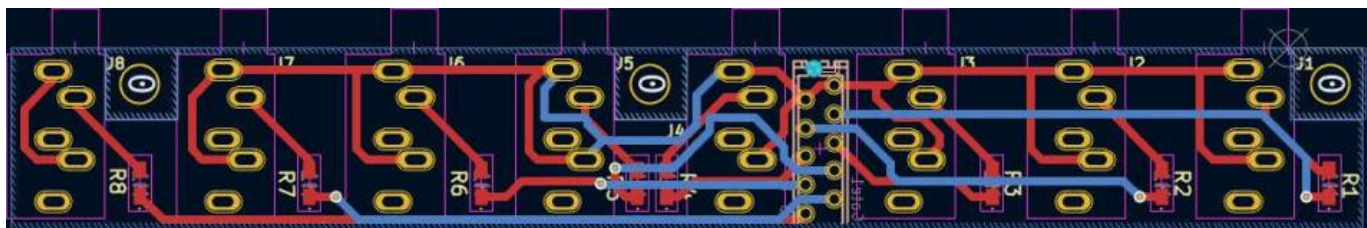
# Building and BOM

Handsolder...

## BOM

qty	reference	value	footprint	MouserPartNr
1	Gate1	Header-2x5-Micromatch	Header-2x5-Micromatch	571-1-2178710-0
3	H1, H2, H3	Montageblock	Mounting-Hole-M3-for-FPanel-with-Block	none
8	J1-J8	3.5Jack for Gates	3-5JACK-CUI_SJ1-3535NG	490-SJ1-3535NG
8	R1-R8	1K	R-1K-0805-250mW	667-ERJ-P06J102V

I dont have to forget to order a ton off "Montageblock"...



# To Do

waiting for Prototype PCB

## Community users working on it

- **Phatline** = PCB & Schematic, UI-Programming, Documentation...

Just let a Private message on the forum to user already involved.

or join the forum: [Triggermatrix 5](#)

From:

<https://www.midibox.org/dokuwiki/> - **MIDIbox**

Permanent link:

<https://www.midibox.org/dokuwiki/doku.php?id=tm5-gate-board&rev=1672078914>

Last update: **2022/12/26 18:21**

