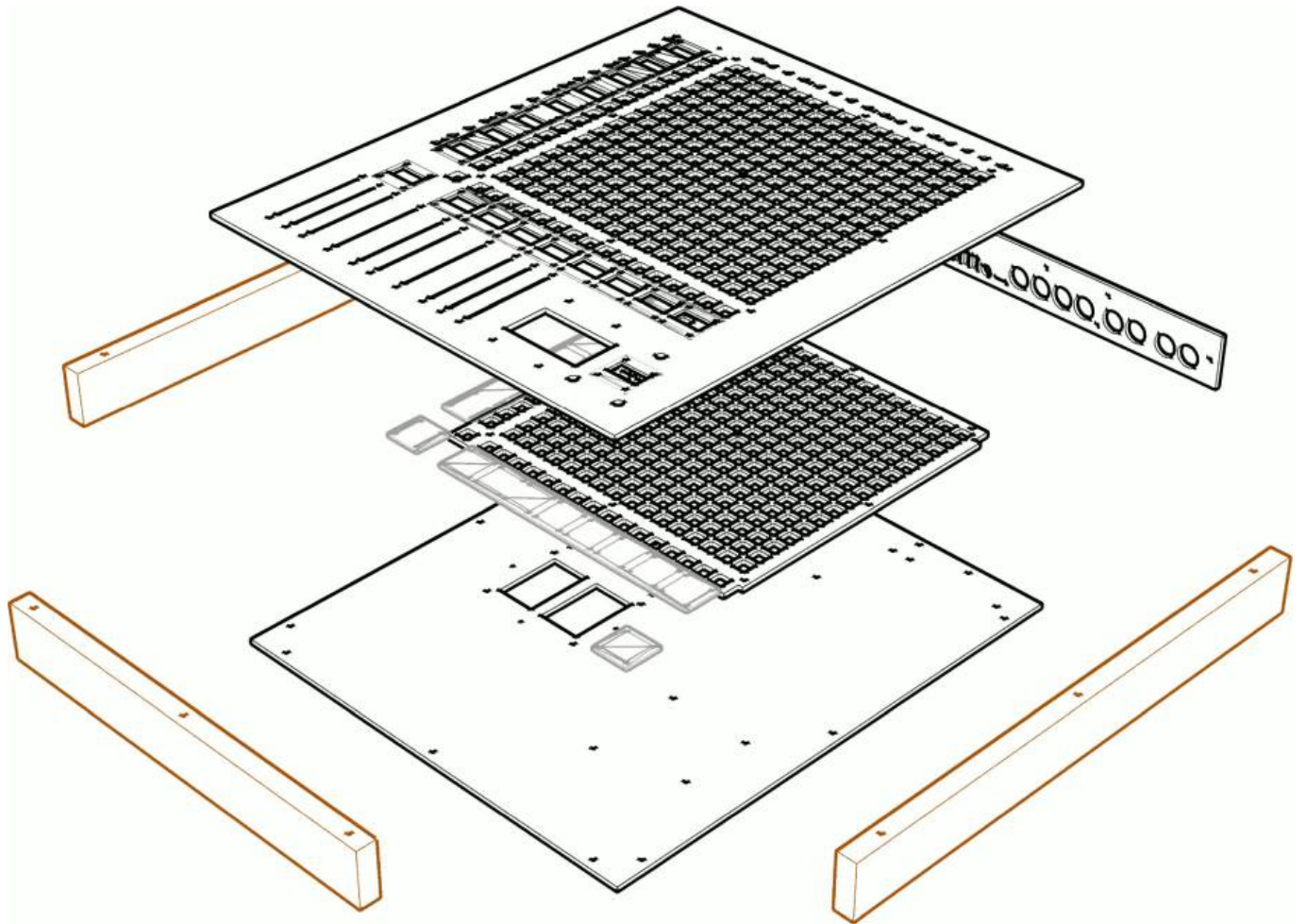


TM5 Housing

this is the Housing for [Triggermatrix5](#)

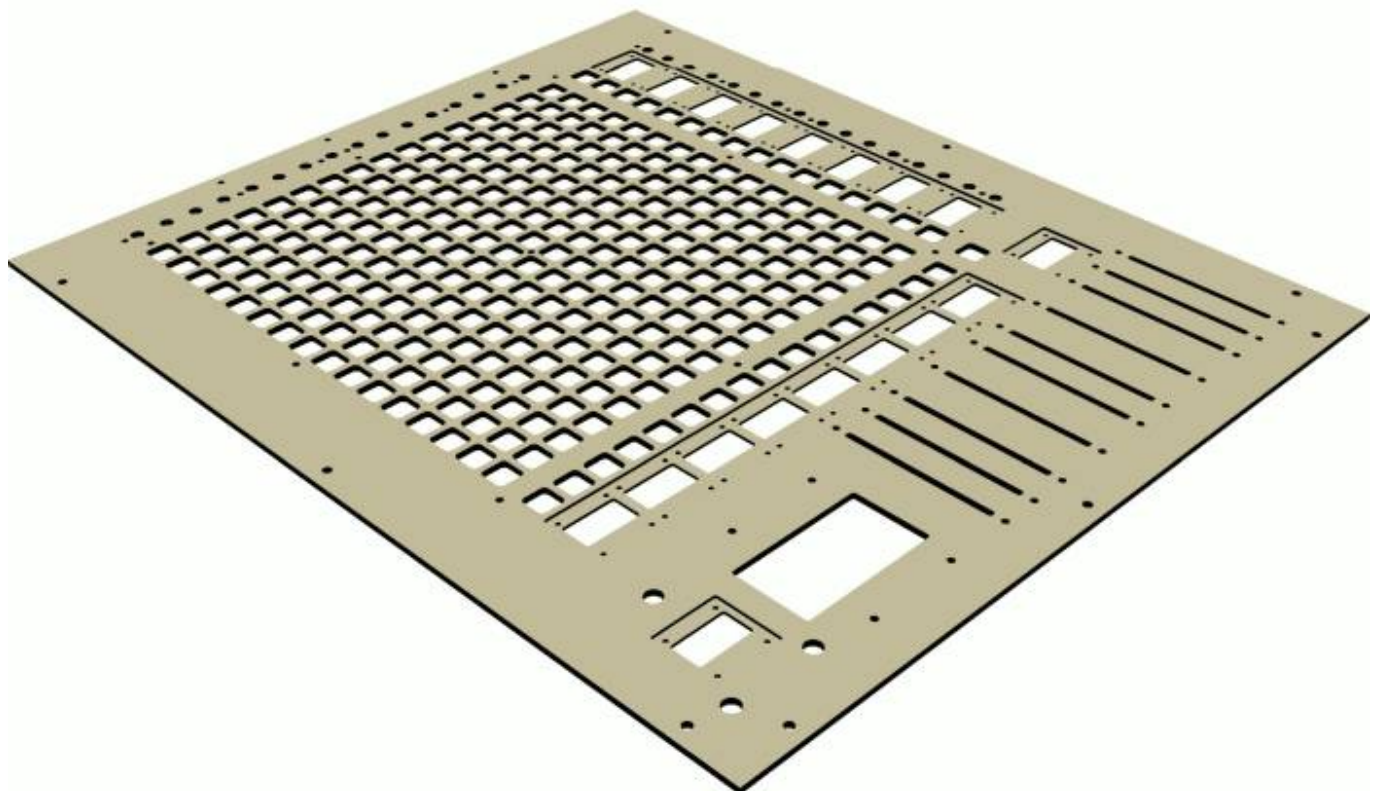


Panels



Frontpanel

[tm5-frontpanel.zip](#)





Backpanel

[tm5-backpanel.zip](#)



Groundpanel

[tm5-groundpanel.zip](#)



BLM-Acrylic Spacer

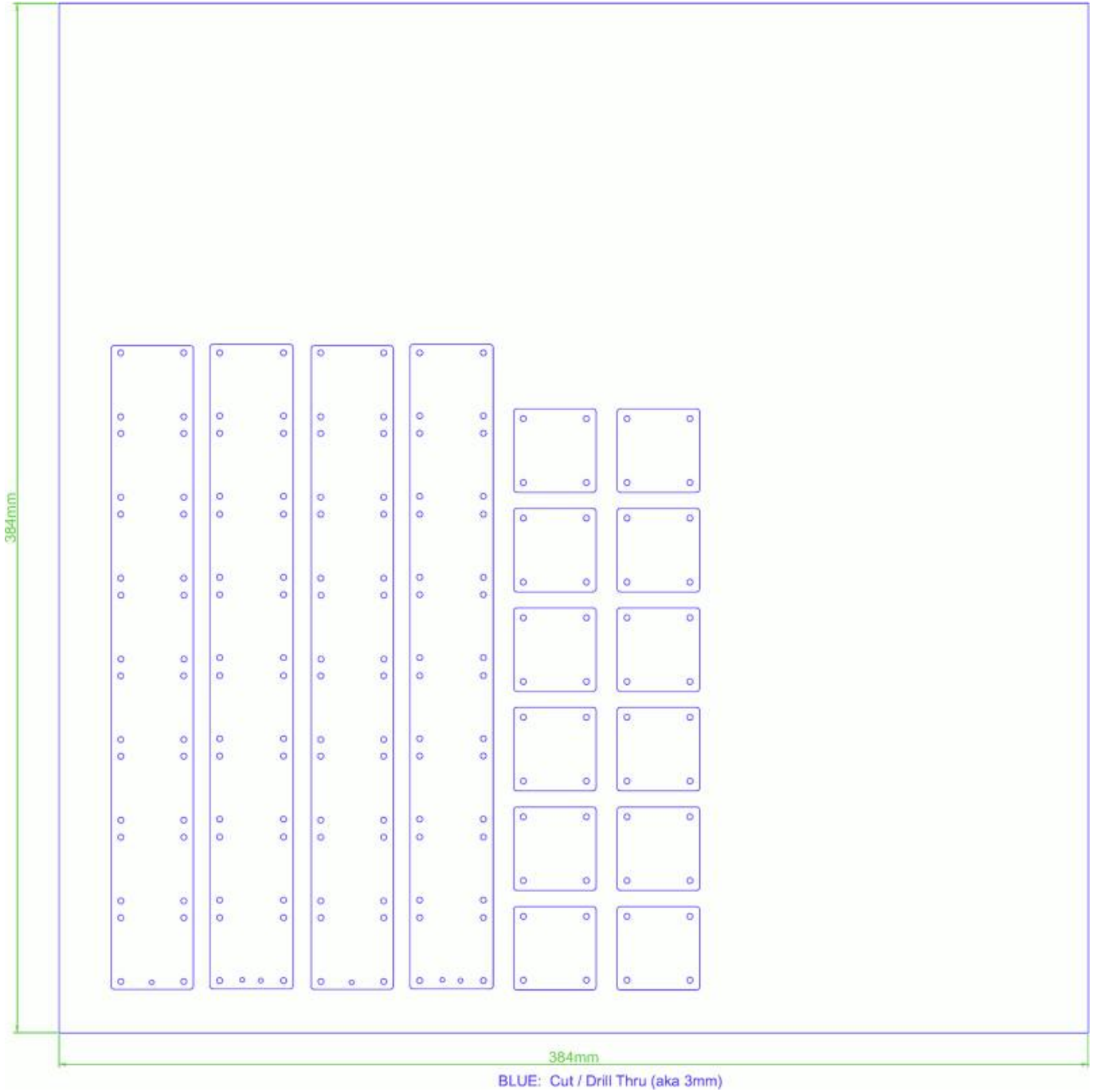
optimized file for Formulartm5-blm-spacer.zip
3mm Black Opak Acrylic for example Formolor (EU)
or ponoko (US)



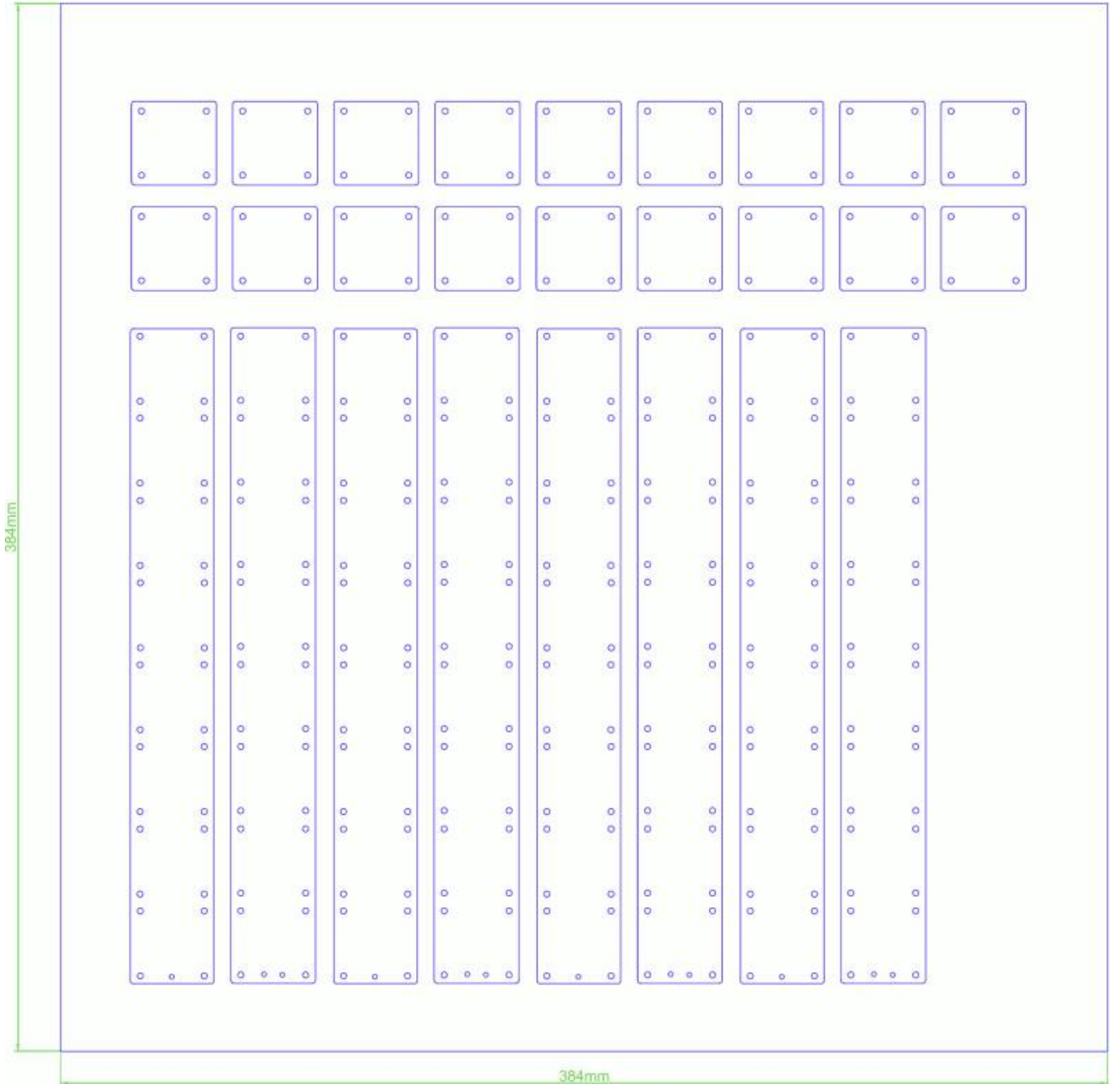
Protection-Glass for Screens

use 1mm Clear transparent Precision-Acrylic [for example Formulor \(EU\)](#)
or [ponoko \(US\)](#)

2 Pairs off Protection Screens, optimized for formular: [tm5-lcd-protection.zip](#)



more Protection Screens, optimized for formular: [tm5-lcd-protection-mehrere.zip](https://www.midibox.org/dokuwiki/tm5-lcd-protection-mehrere.zip)

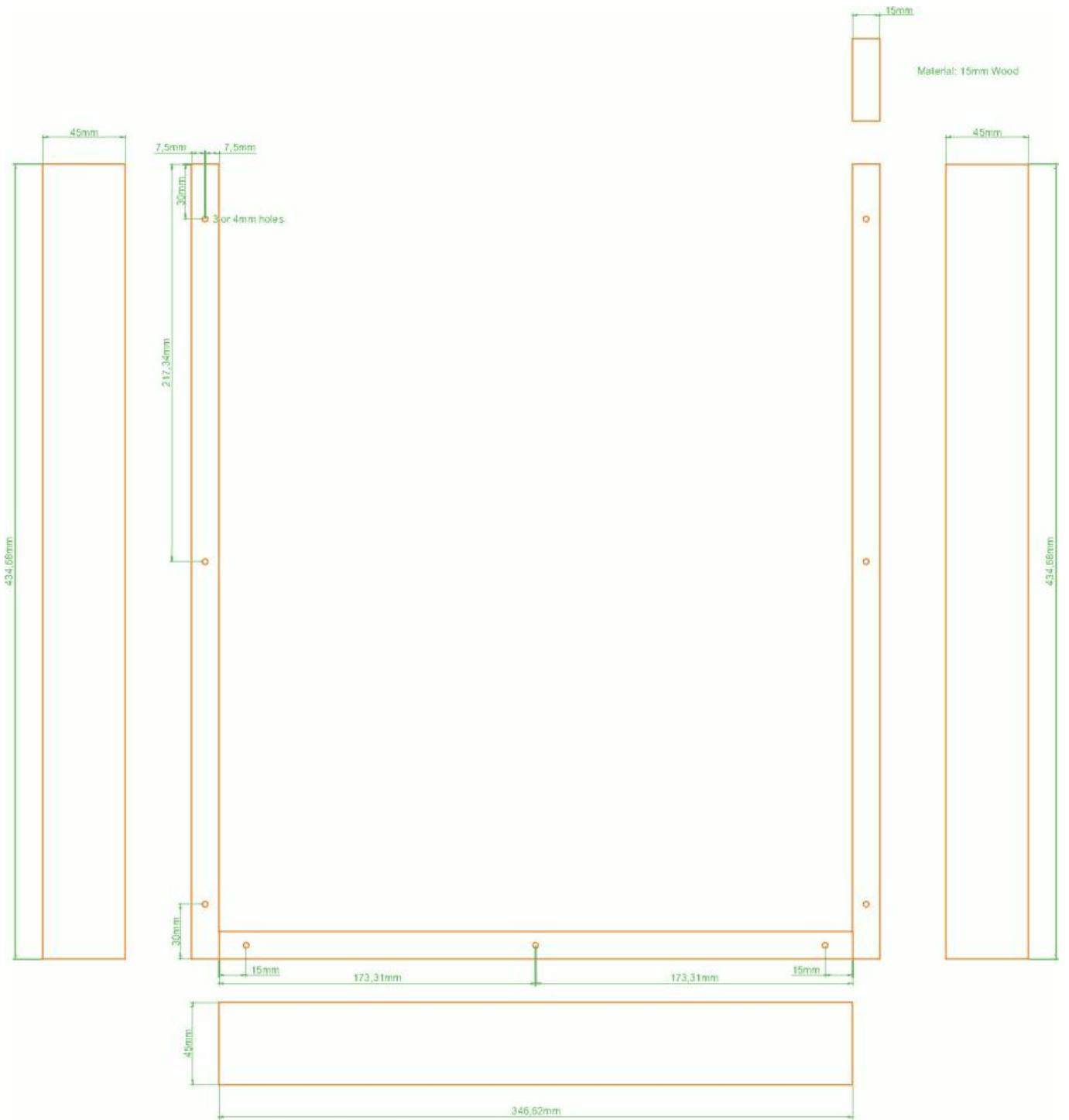




Wooden Side Panels

3x Wooden 15mm Panels, DIY or ask your local carpenter or hardwarestore





From: <https://www.midibox.org/dokuwiki/> - **MIDIbox**

Permanent link: <https://www.midibox.org/dokuwiki/doku.php?id=tm5-housing&rev=1673569427>

Last update: **2023/01/13 00:23**

